



AN SPX BRAND



Simplex S-Type Strainer

1" – 12" NB

Low & Medium Pressure Single Strainer Simplex S-Type 1" – 12" (25 mm – 300 mm)

Simplex S-Type filters are of simple and robust cast construction with in line connections and can be used in liquids and gases. The Simplex (single) basket type is for general applications where the process flow is intermittent and can be stopped for element cleaning.

Standard Features

- Quick release covers eliminate the need for tools for maintenance
- Designed for pressure ratings up to ASME class 300 (51 BARG)
- Flow is from inside to outside the basket to trap and retain debris.
- High basket area to pipeline C.S.A. ratio of over 10:1
- With coarse perforated baskets (2mm as standard) or fine stainless steel mesh inserts to give particle removal down to 50 microns
- Disposable depth type cartridges are available for filtration to 5–10 micron on liquid and 1–2 micron in gases.
- All fitted with cleanable baskets and inserts or disposable gas cartridges as required, in cast iron, cast steel and stainless steel

Options

- Complying with current Transco specifications
- Can be supplied complying with PD5500 or ASME VIII design codes
- Pleated baskets for high filtration areas
- Reinforced baskets for withstanding high differential pressures
- Magnetic element assemblies
- Flanged connection for drain, vent and ancillary connections
- Steam, hot water or hot oil jackets
- Supplied with ancillary equipment such as DP gauges and switches, air release heads, valves for vent and drains etc
- Available in gunmetal, duplex stainless steel or special alloys
- 250 mm and 300 mm cast steel units available full ASME class 300 rating (51 BARG design)



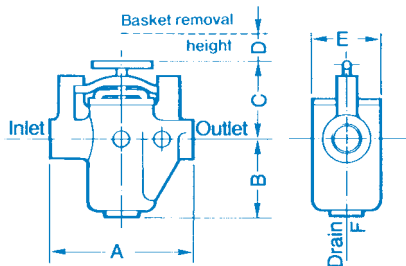
SPX[®]

Design Data

Size mm	Cast Iron BS 1452 GR220/260		Cast Steel ASTM A216 WCB		Stainless Steel BS 1504 316 C16	
	Flange Rating	Design Pressure	Flange Rating	Design Pressure	Flange Rating	Design Pressure
25 & 40	ASME 250 FF*	20.6 BARG	ASME 300 RF	34.4 BARG	ASME 300 RF	34.47 BARG
50, 75, 100 & 150	ASME 250 FF	20.6 BARG	ASME 300 RF	51 BARG	ASME 300 RF	51 BARG
200	ASME 250 FF	12 BARG	ASME 300 RF	51 BARG	ASME 300 RF	51 BARG
250 & 300	ASME 125 FF	12 BARG	ASME 150 RF**	19.6 BARG	ASME 150 RF	19.0 BARG

ALL PRESSURES ARE BARG @ 38°C. NOTE: Design pressure will reduce by flange drilling to a lesser standard

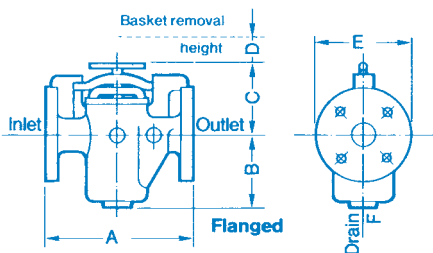
** Also available with ASME 300 RF flanges @ 51/49.6 BARG design pressure. * Also available with screwed ends.



Dimensions

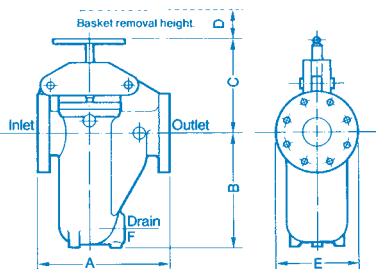
Simplex Type S Filter 1" & 1 1/2" (25 & 40mm) Screwed (cast iron only)

Size		Model No.	A mm	B mm	C mm	D mm	E mm	F BSPT	Weight	
in	mm								lb	kg
1	25	SN-1	162	98	102	14	83	1/2"	11	5
1 1/2	40	SN-1.5	171	149	102	73	83	1/2"	13	6



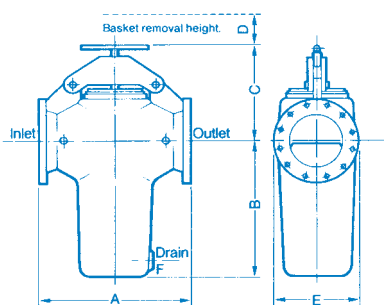
Simplex Type S Filter 1" & 1 1/2" (25 & 40mm) Flanged

Size		Model No.	A mm	B mm	C mm	D mm	E mm	F BSPT	Weight	
in	mm								lb	kg
1	25	SN-1	162	98	102	14	83	1/2"	18	8
1 1/2	40	SN-1.5	216	149	102	73	156	1/2"	28	12.5



Simplex Type S Filter 2"-8" (50-200mm)

Size		Model No.	A mm	B mm	C mm	D mm	E mm	F BSPT	Weight	
in	mm								lb	kg
2	50	SN-2	292	192	198	122	165	1 1/4"	51	23
3	75	SN-3	362	270	251	138	210	1 1/4"	101	45
4	100	SN-4	425	371	297	120	254	1 1/2"	181	82
6	150	SN-6	584	514	349	260	318	1 1/2"	435	197
8	200	SN-8	711	699	422	464	381	1 1/2"	800	364



Simplex Type S Filter 10"-12" (250-300mm)

Size		Model No.	A mm	B mm	C mm	D mm	E mm	F BSPT	Weight	
in	mm								lb	kg
10	250	SN-10	864	790	150#-556	150#-744	457	2"	990	450
12	300	SN-12	864	790	300#-635	300#-665	521	2"	1070	486

For larger pipe sizes or higher pressures refer to leaflets Simplex T-Type.

Self Draining Filters — Also available are a range of cast self draining filters for use in multi product pipelines. The outlet is flush with the bottom of the body so that the filter body does not trap a pocket of fluid when the pipework is drained.

SPX Flow Technology
Hambridge Road, Newbury, Berkshire, RG14 5TR
Phone: +44 (0) 1635 42363 Fax: +44 (0) 1635 49758
Email: plentyfilters@spx.com
www.plentyfiltration.net
www.spxft.com

For more information about our worldwide locations, approvals, certifications, and local representatives, please visit www.plentyfiltration.net.
SPX Corporation reserves the right to incorporate our latest design and material changes without notice or obligation.
Design features, materials of construction and dimensional data, as described in this bulletin, are provided for your information only and should not be relied upon unless confirmed in writing.

Issued: 04/2010 PF-70.00-1-EN

Copyright © 2010 SPX Corporation

SPX
WHERE IDEAS MEET INDUSTRY