



**brands you trust.**

## TECHNICAL DATASHEET

### FLOWSEAL® - High Performance Butterfly Valves

**INDEX:**

Soft Seat	2-4
Metal Seat	5-8
Fire Flow	9-11
Valve Flow Coefficients	12
Ordering Information	13
Engineering Data	14-23
Typical Specifications	24

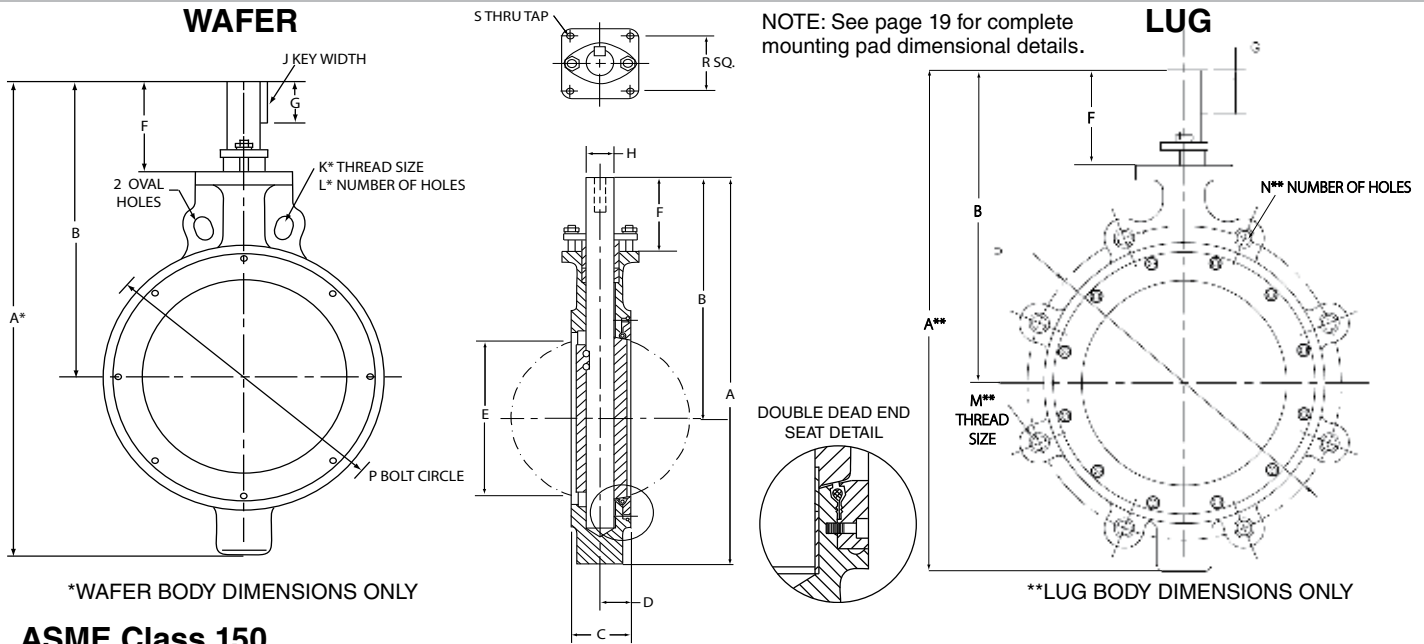


Energy Flow Solutions

[www.craneenergy.com](http://www.craneenergy.com)



# Dimensions Soft Seat



## ASME Class 150

VALVE SIZE	WAFER	LUG	B	C	D	E	F	G	H	J	K*	L*	M**	N**	P	R	S	WEIGHT (LBS.)	
	A*	A**																WAFER	LUG
2"	10.59	10.59	7.59	1.75	1.06	1.72	3.34	.88	.500	3/16	-	-	5/8-11	4	4.750	2.25	3/8-16	8	11
2.5"	10.30	10.30	7.59	1.88	1.09	2.09	3.34	.88	.500	3/16	-	-	5/8-11	4	5.500	2.25	3/8-16	8	11
3"	11.60	11.98	8.60	1.92	1.20	2.75	3.60	1.19	.625	3/16	-	-	5/8-11	4	6.000	2.25	3/8-16	11	13
3.5"	11.97	11.97	8.72	2.05	1.30	3.19	3.60	1.19	.625	3/16	-	-	5/8-11	8	7.000	2.25	3/8-16	14	17
4"	12.92	13.55	9.42	2.13	1.26	3.62	3.67	1.19	.625	3/16	-	-	5/8-11	8	7.500	2.25	3/8-16	17	25
5"	14.53	15.16	10.28	2.25	1.34	4.55	3.81	1.25	.750	1/4	-	-	3/4-10	8	8.500	2.25	3/8-16	20	30
6"	15.69	15.93	10.81	2.29	1.38	5.55	3.81	1.25	.750	1/4	-	-	3/4-10	8	9.500	2.25	3/8-16	30	35
8"	17.81	17.94	11.93	2.50	1.49	7.28	3.80	1.25	1.000	3/8	-	-	3/4-10	8	11.750	2.25	3/8-16	44	48
10"	19.85	20.85	12.97	2.81	1.70	9.20	4.09	1.50	1.250	3/8	-	2	7/8-9	12	14.250	3.25	3/8-16	71	91
12"	24.96	24.96	15.46	3.23	1.86	11.15	4.83	2.25	1.500	3/8	-	2	7/8-9	12	17.000	3.25	3/8-16	110	127
14"	27.14	27.14	16.07	3.62	2.19	12.76	4.82	2.25	1.500	3/8	-	4	1-8	12	18.750	3.25	3/8-16	135	183
16"	31.66	31.66	19.61	4.00	2.31	14.58	6.92	2.50	1.750	1/2	-	4	1-8	16	21.250	4.25	1/2-13	182	250
18"	34.53	34.53	21.35	4.50	2.45	16.38	7.35	3.25	2.000	1/2	-	4	1-1/8-8	16	22.750	4.25	1/2-13	234	305
20"	36.70	36.70	22.76	5.00	2.94	18.38	7.63	3.00	2.250	3/4	1-1/8-8	4	1-1/8-8	20	25.000	5.00	3/4-10	320	414
24"	41.57	41.57	25.13	6.06	3.12	21.88	7.88	3.25	2.500	3/4	1-1/4-8	4	1-1/4-8	20	29.500	5.00	3/4-10	505	702
30"	52.08	52.08	29.35	6.75	3.53	28.00	8.73	4.50	3.000	3/4	1-1/4-8	4	1-1/4-8	28	36.000	5.00	3/4-10	925	1130
36"	64.75	64.75	32.64	8.38	4.34	33.66	8.14	3.50	3.750	1	1-1/2-8	4	1-1/2-8	32	42.750	7.00	1-8	1630	1890
42"	73.24	73.24	37.62	9.25	5.03	40.31	9.62	5.00	4.500	1	1-1/2-8	4	1-1/2-8	36	49.500	7.00	1-8	2475	2700
48"	80.13	80.13	41.88	10.62	5.62	45.25	10.63	6.00	5.000	1-1/4	1-1/2-8	4	1-1/2-8	44	56.000	9.00	1-8	2815	3085

# Dimensions Soft Seat

## ASME Class 300

VALVE SIZE	WAFER		LUG		B	C	D	E	F	G	H	J	K*	L*	M**	N**	P	R	S	WEIGHT (LBS.)	
	A*	A**	WAFER	LUG																	
2"	10.59	10.59	7.59	1.75	1.06	1.72	3.34	.88	.500	3/16	-	-	5/8-11	8	5.000	2.25	38-16	8	11		
2.5"	10.30	10.30	7.59	1.88	1.09	2.09	3.34	.88	.500	3/16	-	-	3/4-10	8	5.880	2.25	38-16	8	11		
3"	11.60	11.98	8.60	1.92	1.20	2.75	3.60	1.19	.625	3/16	-	-	3/4-10	8	6.625	2.25	38-16	12	17		
3.5"	11.97	11.97	8.72	2.05	1.30	3.19	3.60	1.19	.625	3/16	-	-	3/4-10	8	7.250	2.25	3/8-16	14	19		
4"	12.92	13.54	9.42	2.13	1.25	3.62	3.67	1.19	.625	3/16	-	-	3/4-10	8	7.875	2.25	38-16	17	24		
5"	14.53	15.16	10.28	2.25	1.34	4.55	3.81	1.25	.750	1/4	-	-	3/4-10	8	9.250	2.25	38-16	20	30		
6"	15.93	16.31	10.81	2.29	1.38	5.55	3.81	1.25	1.000	3/8	-	-	3/4-10	12	10.625	2.25	38-16	30	49		
8"	18.10	19.50	12.22	2.88	1.54	7.06	4.08	1.50	1.250	3/8	-	-	7/8-9	12	13.000	3.25	38-16	52	80		
10"	21.60	22.10	14.22	3.25	1.70	9.00	4.84	2.25	1.500	3/8	1-8	2	1-8	16	15.250	3.25	38-16	88	115		
12"	28.40	28.40	17.90	3.62	1.86	10.72	6.90	2.50	1.750	1/2	1-1/8-8	4	1-1/8-8	16	17.750	4.25	1/2-13	153	199		
14"	34.31	34.31	19.74	4.62	2.48	12.08	7.36	3.25	2.000	1/2	1-1/8-8	4	1-1/8-8	20	20.250	4.25	1/2-13	285	324		
16"	38.14	38.14	21.82	5.25	2.59	13.72	7.82	3.00	2.250	3/4	1-1/4-8	4	1-1/4-8	20	22.500	5.00	3/4-10	336	401		
18"	40.26	40.26	23.00	5.88	3.03	15.56	7.87	3.25	2.500	3/4	1-1/4-8	4	1-1/4-8	24	24.750	5.00	3/4-10	393	517		
20"	43.62	43.62	25.13	6.31	3.24	17.22	8.74	4.50	3.000	3/4	1-1/4-8	4	1-1/4-8	24	27.000	5.00	3/4-10	510	735		
24"	49.94	49.94	28.27	7.19	3.62	20.61	8.89	4.00	3.500	1	1-1/2-8	4	1-1/2-8	24	32.000	7.00	1-8	733	1020		
30"	62.40	62.40	31.90	8.88	4.39	27.25	9.02	5.00	4.500	1	1-3/4-8	4	1-3/4-8	28	39.250	7.00	1-8	1745	2145		

## ASME Class 600

VALVE SIZE	WAFER		LUG		B	C	D	E	F	G	H	J	K*	L*	M**	N**	P	R	S	WEIGHT (LBS.)	
	A*	A**	WAFER	LUG																	
2"	10.59	10.59	7.59	1.75	1.06	1.72	3.34	-	.500	-	-	-	5/8-11	8	5.000	2.25	38-16	11	13		
3"	11.60	12.10	8.60	2.12	1.20	2.50	3.60	1.19	.625	3/16	-	-	3/4-10	8	6.625	2.25	38-16	13	18		
4"	14.43	14.93	9.81	2.50	1.40	3.43	3.81	1.25	.750	1/4	-	-	7/8-9	8	8.500	2.25	38-16	30	52		
6"	17.27	18.46	11.71	3.06	1.68	5.18	4.09	1.50	1.250	3/8	1-8	2	1-8	12	11.500	3.25	38-16	42	85		
8"	21.35	22.00	13.97	4.00	1.85	6.28	4.84	2.25	1.500	3/8	1-1/8-8	-	1-1/8-8	12	13.750	3.25	38-16	72	127		
10"	31.15	31.15	17.90	4.62	2.00	7.95	6.90	2.50	1.750	1/2	1-1/4-8	4	1-1/4-8	16	17.000	4.25	1/2-13	170	233		
12"	34.80	34.80	20.13	5.50	2.53	9.68	7.50	3.00	2.250	3/4	1-1/4-8	4	1-1/4-8	20	19.250	5.00	3/4-10	245	379		
14"	39.21	39.21	22.41	6.13	3.14	10.97	7.88	3.50	2.50	3/4	1-3/8-8	4	1-3/8-8	20	20.75	5.00	3/4-10	400	600		
16"	-	44.25	25.38	7.00	3.50	12.60	9.38	5.00	3.000	3/4	-	-	1-1/2-8	20	23.750	5.00	3/4-10	-	1170		

### NOTES:

#### 1. General

- Standard valves tested to MSS SP-61. API 598 testing available on request.
- Dimensions shown are for reference only. Certified drawings available on application.

#### 2. For 2" through 24" sizes:

- Face-to-face dimensions (C) meet, within specified tolerance, MSS SP-68 and API 609 requirements.
- Valves are designed for installation between ASME B16.5 flanges.

#### 3. For 30" through 48" sizes:

- Valves are designed for installation between ASME B16.47 Class A flanges. (Class B on request)



# Pressure/Temperature Ratings **Soft Seat**

As temperature increases, the pressure retaining capability of materials decreases. The graph below illustrates the pressure/temperature ratings of the Flowseal ASME Class 150, Class 300, and Class 600.

The heavy lines define the ratings of the carbon steel and stainless steel valve body (or "shell") in conformance to ASME B16.34. The shaded areas define the ratings of the TFE and RTFE Seat materials.

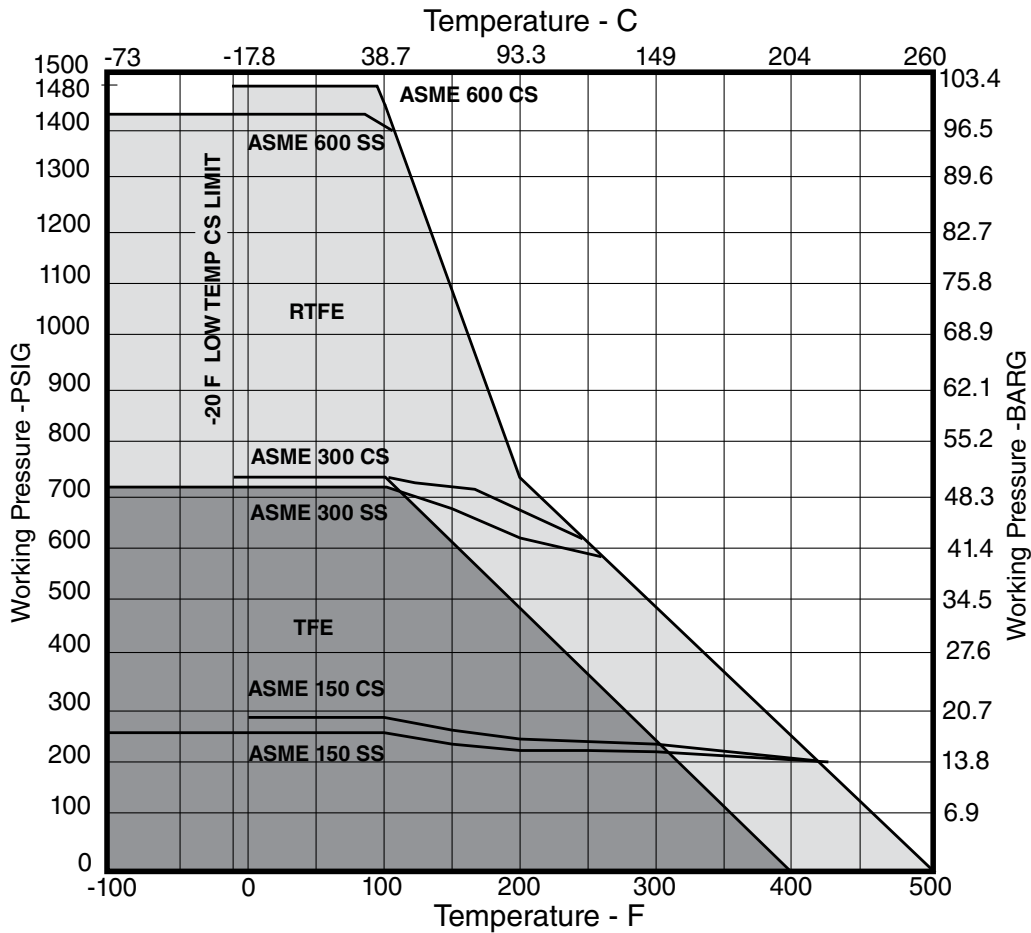
Seat ratings are based on differential pressure with the disc in the fully closed position.\*

## Steam Service

TFE seated valves are rated for 50 psi saturated steam.

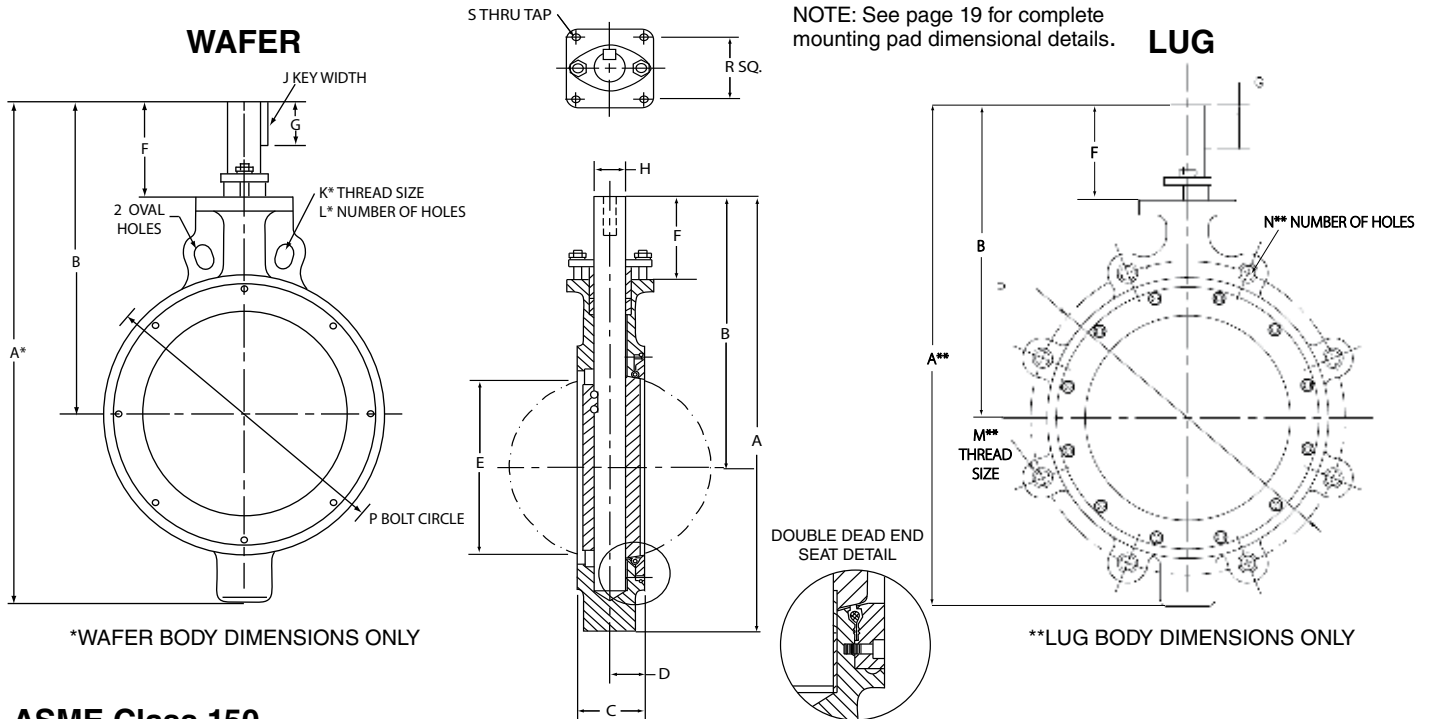
Valves with "O" seat configuration (RTFE seat / AFLAS O-ring) are rated to 100 psi steam service.

**ASME B16.34 Body and Flowseal Soft Seat Pressure - Temperature Ratings**



\*Shaft materials other than 17-4 PH or Monel® will affect working pressure ratings. Please consult factory.

# Dimensions Metal Seat



## ASME Class 150

VALVE SIZE	WAFER	LUG	B	C	D	E	F	G	H	J	K*	L*	M**	N**	P	R	S	WEIGHT (LBS.)	
	A*	A**																WAFER	LUG
2"	10.59	10.59	7.59	1.75	1.06	1.72	3.34	.88	.500	3/16	-	-	5/8-11	4	4.750	2.25	3/8-16	8	11
2.5"	10.30	10.30	7.59	1.88	1.09	2.09	3.34	.88	.500	3/16	-	-	5/8-11	4	5.500	2.25	3/8-16	8	11
3"	11.60	11.98	8.60	1.92	1.20	2.75	3.60	1.19	.625	3/16	-	-	5/8-11	4	6.000	2.25	3/8-16	11	13
3.5"	11.97	11.97	8.72	2.05	1.30	3.19	3.60	1.19	.625	3/16	-	-	5/8-11	8	7.000	2.25	3/8-16	14	17
4"	12.92	13.55	9.42	2.13	1.26	3.62	3.67	1.19	.625	3/16	-	-	5/8-11	8	7.500	2.25	3/8-16	17	25
5"	14.53	15.16	10.28	2.25	1.34	4.55	3.81	1.25	.750	1/4	-	-	3/4-10	8	8.500	2.25	3/8-16	20	30
6"	15.69	15.93	10.81	2.29	1.38	5.55	3.81	1.25	.750	1/4	-	-	3/4-10	8	9.500	2.25	3/8-16	30	35
8"	17.81	17.94	11.93	2.50	1.49	7.28	3.80	1.25	1.000	3/8	-	-	3/4-10	8	11.750	2.25	3/8-16	44	48
10"	19.85	20.85	12.97	2.81	1.70	9.20	4.09	1.50	1.250	3/8	-	2	7/8-9	12	14.250	3.25	3/8-16	71	91
12"	24.96	24.96	15.46	3.23	1.86	11.15	4.83	2.25	1.500	3/8	-	2	7/8-9	12	17.000	3.25	3/8-16	110	127
14"	27.14	27.14	16.07	3.62	2.19	12.76	4.82	2.25	1.500	3/8	-	4	1-8	12	18.750	3.25	3/8-16	135	183
16"	31.66	31.66	19.61	4.00	2.31	14.58	6.92	2.50	1.750	1/2	-	4	1-8	16	21.250	4.25	1/2-13	182	250
18"	34.53	34.53	21.35	4.50	2.45	16.38	7.35	3.25	2.000	1/2	-	4	1-1/8-8	16	22.750	4.25	1/2-13	234	305
20"	36.70	36.70	22.76	5.00	2.94	18.38	7.63	3.00	2.250	3/4	1-1/8-8	4	1-1/8-8	20	25.000	5.00	3/4-10	320	414
24"	41.57	41.57	25.13	6.06	3.12	21.88	7.88	3.25	2.500	3/4	1-1/4-8	4	1-1/4-8	20	29.500	5.00	3/4-10	505	702
30"	52.08	52.08	29.35	6.75	3.53	28.00	8.73	4.50	3.000	3/4	1-1/4-8	4	1-1/4-8	28	36.000	5.00	3/4-10	925	1130
36"	64.75	64.75	32.64	8.38	4.34	33.66	8.14	3.50	3.750	1	1-1/2-8	4	1-1/2-8	32	42.750	7.00	1-8	1630	1890



# Dimensions Metal Seat

## ASME Class 300

VALVE SIZE	WAFER	LUG	B	C	D	E	F	G	H	J	K*	L*	M**	N**	P	R	S	WEIGHT (LBS.)	
	A*	A**																WAFER	LUG
2"	10.59	10.59	7.59	1.75	1.06	1.72	3.34	.88	.500	3/16	–	–	5/8-11	8	5.000	2.25	3/8-16	8	11
2.5"	10.30	10.30	7.59	1.88	1.09	2.09	3.34	.88	.500	3/16	–	–	3/4-10	8	5.880	2.25	3/8-16	8	11
3"	11.60	11.98	8.60	1.92	1.20	2.75	3.60	1.19	.625	3/16	–	–	3/4-10	8	6.625	2.25	3/8-16	12	17
3.5"	11.97	11.97	8.72	2.05	1.30	3.19	3.60	1.19	.625	3/16	–	–	3/4-10	8	7.250	2.25	3/8-16	14	19
4"	12.92	13.54	9.42	2.13	1.25	3.62	3.67	1.19	.625	3/16	–	–	3/4-10	8	7.875	2.25	3/8-16	17	24
5"	14.53	15.16	10.28	2.25	1.34	4.55	3.81	1.25	.750	1/4	–	–	3/4-10	8	9.250	2.25	3/8-16	20	30
6"	15.93	16.31	10.81	2.29	1.38	5.55	3.81	1.25	1.000	3/8	–	–	3/4-10	12	10.625	2.25	3/8-16	30	49
8"	18.10	19.50	12.22	2.88	1.54	7.06	4.08	1.50	1.250	3/8	–	–	7/8-9	12	13.000	3.25	3/8-16	52	80
10"	21.60	22.10	14.22	3.25	1.70	9.00	4.84	2.25	1.500	3/8	1-8	2	1-8	16	15.250	3.25	3/8-16	88	115
12"	28.40	28.40	17.90	3.62	1.86	10.72	6.90	2.50	1.750	1/2	1-1/8-8	4	1-1/8-8	16	17.750	4.25	1/2-13	153	199
14"	34.31	34.31	19.74	4.62	2.48	12.08	7.36	3.25	2.000	1/2	1-1/8-8	4	1-1/8-8	20	20.250	4.25	1/2-13	285	324
16"	38.14	38.14	21.82	5.25	2.59	13.72	7.82	3.00	2.250	3/4	1-1/4-8	4	1-1/4-8	20	22.500	5.00	3/4-10	336	401
18"	40.26	40.26	23.00	5.88	3.03	15.56	7.87	3.25	2.500	3/4	1-1/4-8	4	1-1/4-8	24	24.750	5.00	3/4-10	393	517
20"	43.62	43.62	25.13	6.31	3.24	17.22	8.74	4.50	3.000	3/4	1-1/4-8	4	1-1/4-8	24	27.000	5.00	3/4-10	510	735
24"	49.94	49.94	28.27	7.19	3.62	20.61	8.89	4.00	3.500	1	1-1/2-8	4	1-1/2-8	24	32.000	7.00	1-8	733	1020
30"	62.40	62.40	31.90	8.88	4.39	27.25	9.02	5.00	4.500	1	1-3/4-8	4	1-3/4-8	28	39.250	7.00	1-8	1745	2145

## ASME Class 600

Contact factory for availability and dimensions.

### NOTES:

#### 1. General

- Standard valves tested to MSS SP-61 and ASME/FCI 70-2, Class IV.
- Dimensions shown are for reference only. Certified drawings available on application.

#### 2. For 2" through 24" sizes:

- Face-to-face dimensions (C) meet, within specified tolerance, MSS SP-68 and API 609 requirements.
- Valves are designed for installation between ASME B16.5 flanges.

#### 3. For 30" through 48" sizes:

- Valves are designed for installation between MSS SP-44 flanges.

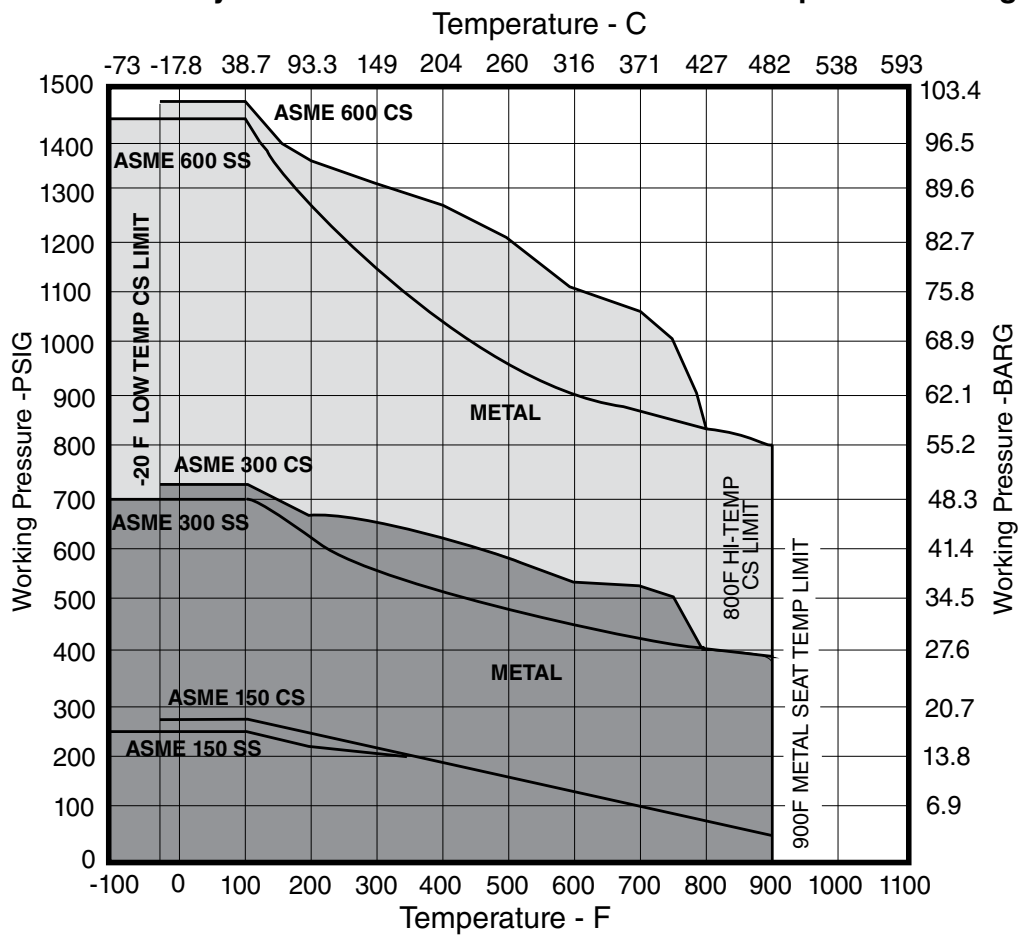
# Pressure/Temperature Ratings **Metal Seat**

As temperature increases, the pressure retaining capability of materials decreases. The graph below illustrates the pressure/temperature ratings of the Flowseal ASME Class 150, Class 300, and Class 600.

The heavy lines define the ratings of the carbon steel and stainless steel valve body (or "shell") in conformance to ASME B16.34. The shaded areas define the ratings of the metal seat.

Seat ratings are based on differential pressure with the disc in the fully closed position.

**ASME B16.34 Body and Flowseal Metal Seat Pressure - Temperature Ratings**





# Material & Specifications **Metal Seat**

## STANDARD MATERIALS OF CONSTRUCTION

### Carbon Steel Construction

<b>COMPONENTS</b>	<b>-20°F to 500°F (-28°C to 260°C) 171MTG CONSTRUCTION</b>	<b>501°F to 750°F (261°C to 398°C) 171MGB CONSTRUCTION</b>	<b>751°F to 800°F (399°C to 426°C) 172MGS CONSTRUCTION</b>
BODY	Carbon Steel A216 Gr WCB, or A105	Carbon Steel A216 Gr WCB, or A105	Carbon Steel A216 Gr WCB, or A105
DISC	316 Stainless Steel A351 CF8M, or A182 F316 Nitrided	316 Stainless Steel A351 CF8M, or A182 F316 Nitrided	316 Stainless Steel A351 CF8M, or A182 F316 Nitrided
SHAFT & PINS	17-4 PH Stainless Steel A564 Gr 630	17-4 PH Stainless Steel A564 Gr 630	316 Stainless Steel* A479 Gr 316
SEAT	Inconel®	Inconel®	Inconel®
PACKING	PTFE	Graphite	Graphite
BEARINGS	Glass-Backed PTFE	Bronze	316 Stainless Steel Nitrided

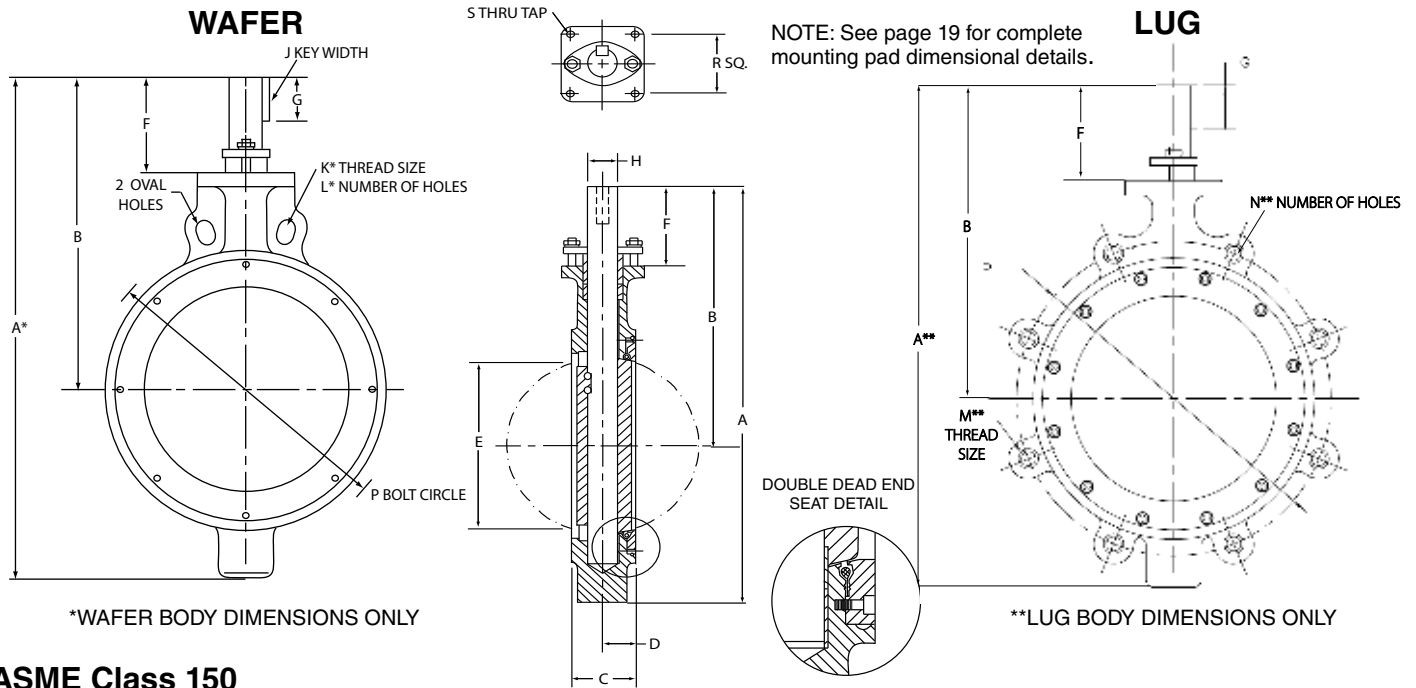
### Stainless Steel Construction

<b>COMPONENTS</b>	<b>-100°F to 500°F (-73°C to 260°C) 271MTG CONSTRUCTION</b>	<b>501°F to 750°F (261°C to 398°C) 271MGB CONSTRUCTION</b>	<b>751°F to 900°F (399°C to 482°C) 272MGS CONSTRUCTION</b>
BODY	316 Stainless Steel A351 CF8M, or A182 F316	316 Stainless Steel A351 CF8M, or A182 F316	316 Stainless Steel A351 CF8M, or A182 F316
DISC	316 Stainless Steel A351 CF8M, or A182 F316 Nitrided	316 Stainless Steel A351 CF8M, or A182 F316 Nitrided	316 Stainless Steel A351 CF8M, or A182 F316 Nitrided
SHAFT & PINS	17-4 PH Stainless Steel A564 Gr 630	17-4 PH Stainless Steel A564 Gr 630	316 Stainless Steel* A479 Gr 316
SEAT	Inconel®	Inconel®	Inconel®
PACKING	PTFE	Graphite	Graphite
BEARINGS	Glass-Backed PTFE	Bronze	316 Stainless Steel Nitrided

\* Shaft materials other than 17-4 PH or Monel® will affect working pressure ratings. Please consult factory.



# Dimensions Fire Flow



## ASME Class 150

VALVE SIZE	WAFER	LUG	B	C	D	E	F	G	H	J	K*	L*	M**	N**	P	R	S	WEIGHT (LBS.)	
	A*	A**																WAFER	LUG
2"	10.59	10.59	7.59	1.75	1.06	1.72	3.34	.88	.500	3/16	-	-	58-11	4	4.750	2.25	38-16	8	11
2.5"	10.30	10.30	7.59	1.88	1.09	2.09	3.34	.88	.500	3/16	-	-	58-11	4	5.500	2.25	38-16	8	11
3"	11.60	11.98	8.60	1.92	1.20	2.75	3.60	1.19	.625	3/16	-	-	58-11	4	6.000	2.25	38-16	11	13
3.5"	11.97	11.97	8.72	2.05	1.30	3.19	3.60	1.19	.625	3/16	-	-	58-11	8	7.000	2.25	38-16	14	17
4"	12.92	13.55	9.42	2.13	1.26	3.62	3.67	1.19	.625	3/16	-	-	58-11	8	7.500	2.25	38-16	17	25
5"	14.53	15.16	10.28	2.25	1.34	4.55	3.81	1.25	.750	1/4	-	-	34-10	8	8.500	2.25	38-16	20	30
6"	15.69	15.93	10.81	2.29	1.38	5.55	3.81	1.25	.750	1/4	-	-	34-10	8	9.500	2.25	38-16	30	35
8"	17.81	17.94	11.93	2.50	1.49	7.28	3.80	1.25	1.000	3/8	-	-	34-10	8	11.750	2.25	38-16	44	48
10"	19.85	20.85	12.97	2.81	1.70	9.20	4.09	1.50	1.250	3/8	-	2	78-9	12	14.250	3.25	38-16	71	91
12"	24.96	24.96	15.46	3.23	1.86	11.15	4.83	2.25	1.500	3/8	-	2	78-9	12	17.000	3.25	38-16	110	127
14"	27.14	27.14	16.07	3.62	2.19	12.76	4.82	2.25	1.500	3/8	-	4	1-8	12	18.750	3.25	38-16	135	183
16"	31.66	31.66	19.61	4.00	2.31	14.58	6.92	2.50	1.750	1/2	-	4	1-8	16	21.250	4.25	1/2-13	182	250
18"	34.53	34.53	21.35	4.50	2.45	16.38	7.35	3.25	2.000	1/2	-	4	1-1/8-8	16	22.750	4.25	1/2-13	234	305
20"	36.70	36.70	22.76	5.00	2.94	18.38	7.63	3.00	2.250	3/4	1-1/8-8	4	1-1/8-8	20	25.000	5.00	3/4-10	320	414
24"	41.57	41.57	25.13	6.06	3.12	21.88	7.88	3.25	2.500	3/4		4	1-1/4-8	20	29.500	5.00	3/4-10	505	702
30"	52.08	52.08	29.35	6.75	3.53	28.00	8.73	4.50	3.000	3/4	1-1/4-8	4	1-1/4-8	28	36.000	5.00	3/4-10	925	1130
36"	64.75	64.75	32.64	8.38	4.34	33.66	8.14	3.50	3.750	1	1-1/2-8	4	1-1/2-8	32	42.750	7.00	1-8	1630	1890
42"	73.24	73.24	37.62	9.25	5.03	40.31	9.62	5.00	4.500	1	1-1/2-8	4	1-1/2-8	36	49.500	7.00	1-8	2475	2700



# Dimensions Fire Flow

## ASME Class 300

VALVE SIZE	WAFER	LUG	B	C	D	E	F	G	H	J	K*	L*	M**	N**	P	R	S	WEIGHT (LBS.)	
	A*	A**																WAFER	LUG
2"	10.59	10.59	7.59	1.75	1.06	1.72	3.34	.88	.500	3/16	-	-	5/8-11	8	5.000	2.25	3/8-16	8	11
2.5"	10.30	10.30	7.59	1.88	1.09	2.09	3.34	.88	.500	3/16	-	-	3/4-10	8	5.880	2.25	3/8-16	8	11
3"	11.60	11.98	8.60	1.92	1.20	2.75	3.60	1.19	.625	3/16	-	-	3/4-10	8	6.625	2.25	3/8-16	12	17
3.5"	11.97	11.97	8.72	2.05	1.30	3.19	3.60	1.19	.625	3/16	-	-	3/4-10	8	7.250	2.25	3/8-16	14	19
4"	12.92	13.54	9.42	2.13	1.25	3.62	3.67	1.19	.625	3/16	-	-	3/4-10	8	7.875	2.25	3/8-16	17	24
5"	14.53	15.16	10.28	2.25	1.34	4.55	3.81	1.25	.750	1/4	-	-	3/4-10	8	9.250	2.25	3/8-16	20	30
6"	15.93	16.31	10.81	2.29	1.38	5.55	3.81	1.25	1.000	3/8	-	-	3/4-10	12	10.625	2.25	3/8-16	30	49
8"	18.10	19.50	12.22	2.88	1.54	7.06	4.08	1.50	1.250	3/8	-	-	7/8-9	12	13.000	3.25	3/8-16	52	80
10"	21.60	22.10	14.22	3.25	1.70	9.00	4.84	2.25	1.500	3/8	1-8	2	1-8	16	15.250	3.25	3/8-16	88	115
12"	28.40	28.40	17.90	3.62	1.86	10.72	6.90	2.50	1.750	1/2	1-1/8-8	4	1-1/8-8	16	17.750	4.25	1/2-13	153	199
14"	34.31	34.31	19.74	4.62	2.48	12.08	7.36	3.25	2.000	1/2	1-1/8-8	4	1-1/8-8	20	20.250	4.25	1/2-13	285	324
16"	38.14	38.14	21.82	5.25	2.59	13.72	7.82	3.00	2.250	3/4	1-1/4-8	4	1-1/4-8	20	22.500	5.00	3/4-10	336	401
18"	40.26	40.26	23.00	5.88	3.03	15.56	7.87	3.25	2.500	3/4	1-1/4-8	4	1-1/4-8	24	24.750	5.00	3/4-10	393	517
20"	43.62	43.62	25.13	6.31	3.24	17.22	8.74	4.50	3.000	3/4	1-1/4-8	4	1-1/4-8	24	27.000	5.00	3/4-10	510	735
24"	49.94	49.94	28.27	7.19	3.62	20.61	8.89	4.00	3.500	1	1-1/2-8	4	1-1/2-8	24	32.000	7.00	1-8	733	1020
30"	62.40	62.40	31.90	8.88	4.39	27.25	9.02	5.00	4.500	1	1-3/4-8	4	1-3/4-8	28	39.250	7.00	1-8	1745	2145

## ASME Class 600

VALVE SIZE	WAFER	LUG	B	C	D	E	F	G	H	J	K*	L*	M**	N**	P	R	S	WEIGHT (LBS.)	
	A*	A**																WAFER	LUG
2"	10.59	10.59	7.59	1.75	1.06	1.72	3.34	-	.500	-	-	-	5/8-11	8	5.000	2.25	3/8-16	11	13
3"	11.60	12.10	8.60	2.12	1.20	2.50	3.60	1.19	.625	3/16	-	-	3/4-10	8	6.625	2.25	3/8-16	13	18
4"	14.43	14.93	9.81	2.50	1.40	3.43	3.81	1.25	.750	1/4	-	-	7/8-9	8	8.500	2.25	3/8-16	30	52
6"	17.27	18.46	11.71	3.06	1.68	5.18	4.09	1.50	1.250	3/8	1-8	2	1-8	12	11.500	3.25	3/8-16	42	85
8"	21.35	22.00	13.97	4.00	1.85	6.28	4.84	2.25	1.500	3/8	1-1/8-8	-	1-1/8-8	12	13.750	3.25	3/8-16	72	127
10"	31.15	31.15	17.90	4.62	2.00	7.95	6.90	2.50	1.750	1/2	1-1/4-8	4	1-1/4-8	16	17.000	4.25	1/2-13	170	233
12"	34.80	34.80	20.13	5.50	2.53	9.68	7.50	3.00	2.250	3/4	1-1/4-8	4	1-1/4-8	20	19.250	5.00	3/4-10	245	379

### NOTES:

#### 1. General

- Standard valves tested to MSS SP-61. API 598 testing available on request.
- Dimensions shown are for reference only. Certified drawings available on application.

#### 2. For 2" through 24" sizes:

- Face-to-face dimensions (C) meet, within specified tolerance, MSS SP-68 and API 609 requirements.
- Valves are designed for installation between ASME B16.5 flanges.

#### 3. For 30" through 48" sizes:

- Valves are designed for installation between MSS SP-44 and ASME B16.47 flanges.

# Pressure/Temperature Ratings Fire Flow

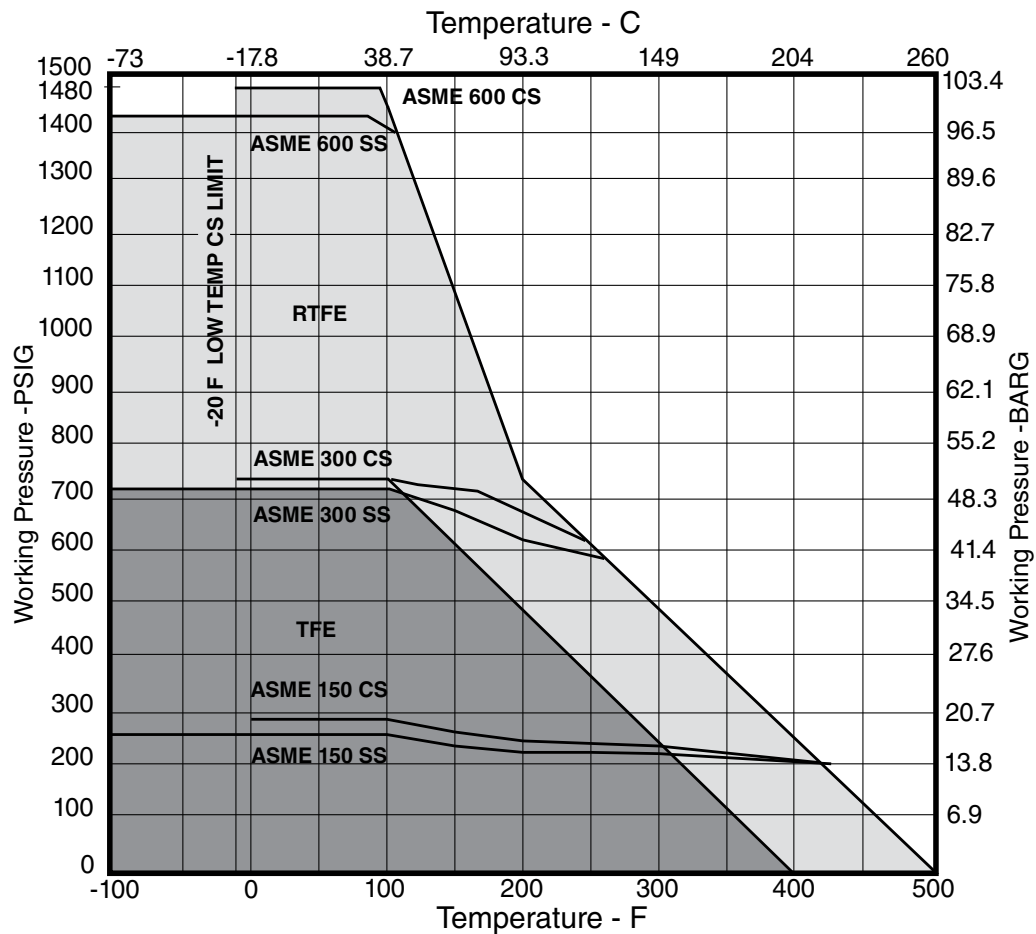
## PRESSURE/TEMPERATURE RATINGS

As temperature increases, the pressure retaining capability of materials decreases. The graph below illustrates the pressure/temperature ratings of the Flowseal ASME Class 150, Class 300, and Class 600.

The heavy lines define the ratings of the carbon steel and stainless steel valve body (or "shell") in conformance to ASME B16.34. The shaded areas define the ratings of the soft seat.

Seat ratings are based on differential pressure with the disc in the fully closed position.

**ASME B16.34 Body and Flowseal Soft Seat Pressure - Temperature Ratings**





# Valve Flow Coefficients

$C_v$  (Coefficient of Volume) is the number of U.S. gallons per minute of water required to pass through a valve with a pressure drop of 1 psi. The chart below records this  $C_v$  factor for the Flowseal valve classes and sizes at ten degree increments between open and closed. The values shown are for the valve installed in the seat upstream ("SUS") position.

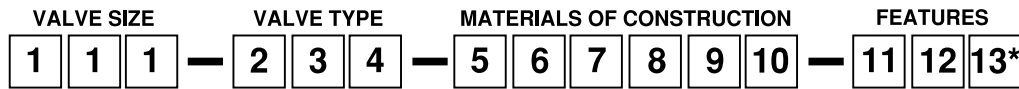
Degree Open % Full $C_v$	10° 1.5%	20° 6%	30° 14%	40° 25.2%	50° 38%	60° 55%	70° 75%	80° 97%	90° 100%	
2"	150	1.5	6	14	25	39	56	76	99	102
	300	1.4	6	13	24	36	52	71	95	100
	600	1.4	5	13	23	35	51	70	90	93
2-1/2"	150	2.2	9	21	37	56	80	110	142	146
	300	2.1	8	19	34	52	75	102	136	143
	600	-	-	-	-	-	-	-	-	-
3"	150	3.4	14	32	57	87	125	171	221	228
	300	3.2	13	30	53	81	117	159	212	223
	600	3.1	12	29	52	79	114	156	202	208
3-1/2"	150	5.3	21	49	88	132	192	261	338	349
	300	4.8	19	45	80	121	176	240	320	336
4"	150	6.8	27	63	114	171	248	338	437	451
	300	6.2	25	58	104	157	228	310	414	435
	600	5.8	23	54	98	147	213	290	375	387
5"	150	10.8	43	100	180	271	392	535	692	714
	300	9.8	40	92	165	248	361	491	655	688
6"	150	16.5	66	154	278	419	607	827	1070	1103
	300	14.9	60	139	250	377	546	744	992	1041
	600	14.7	59	137	247	372	538	734	950	979
8"	150	30.9	124	289	520	784	1135	1584	2002	2064
	300	27.3	109	255	459	692	1001	1365	1820	1911
	600	26.8	107	250	451	679	983	1341	1734	1788
10"	150	52.8	211	492	886	1336	1934	2638	3411	3517
	300	45.6	183	426	767	1156	1673	2282	3042	3194
	600	41.2	165	384	692	1044	1511	2060	2665	2747
12"	150	72.6	290	677	1219	1838	2660	3628	4690	4837
	300	63.3	253	590	1063	1602	2319	3163	4217	4428
	600	58.4	233	545	981	1479	2140	2918	3774	3891
14"	150	90	392	914	1646	2481	3592	4898	6530	6857
	300	81	326	760	1368	2063	2986	4072	5430	5702
	600	73	292	682	1228	1838	2680	3655	4727	4873
16"	150	132	531	1230	2229	3361	4865	6634	8845	9287
	300	109	435	1015	1827	2755	3988	5438	7850	8243
	600	96	385	899	1619	2423	3533	4818	6231	6424
18"	150	171	684	1596	3873	4332	6270	8550	11270	11400
	300	139	555	1295	2331	3515	5088	6938	9250	9712
20"	150	207	828	1932	3478	5244	7590	10350	13800	14420
	300	158	630	1470	2646	3990	5775	7875	10150	10658
24"	150	315	1260	2940	5292	7890	11550	15750	21000	22050
	300	242	966	2254	4057	6118	8855	12075	16100	16205
30"	150	491	1965	4585	8253	12445	18012	24563	32750	34388
	300	404	1614	3766	6779	10222	14795	20175	26900	28245
36"	150	707	2830	6602	11884	17920	25938	35370	45745	47160
42"	150	963	3851	8987	16176	24392	35304	48143	62264	64190
48"	150	1258	5030	11738	21128	31859	46111	62881	81324	83840

## $C_f$ FACTORS

The critical flow factor,  $C_f$ , expresses the valve pressure recovery ratio. It is equivalent to  $F_L$  in ISA nomenclature.

Disc degree opening	15°	20°	25°	30°	35°	40°	45°	50°	55°	60°	65°	70°	75°	80°	85°	90°
Seat upstream	.95	.91	.84	.81	.78	.80	.77	.74	.74	.73	.70	.66	.63	.60	.57	.53
Seat downstream	.94	.89	.84	.82	.80	.77	.75	.72	.69	.66	.63	.60	.58	.55	.54	.53

# Ordering Information



**Example:** 12 - 1WA - 171MTG - 3: 12" Wafer Style Class 150 Carbon body, Straight 17-4 Ph SS Stem, 316 SS Nitrided Disc, Inconel® Seat, TFE Pkg, Garfil Bearings, Gear Operated

1. Size	Code	6. Disc Material	Code	11. Actuator Type	Code
2"	02	Alum Bronze/ENP B148 C958	0	Bare Shaft	B
2 ½"	025	316 SS	2	Worm Gear w/2" Square Nut & Hndwl	D
3"	03	Monel®	3	Ratchet Handle	H
3 ½"	035	Alum Bronze MIL-B-24480	5	Ratchet Handle w/Lock	L
4"	04	316 SS Nitrided	7	Throttle	T
to		Alum Bronze B148 ASTM C958	8	Worm Gear	3
48"	48	316 SS/ENP	9	Worm Gear (4-way keyed)	9
		2205 Duplex ASTM A890 Gr 4A	B	Pneumatic Double Acting	4
		Monel®/ENP	M	Pneumatic SR Fail Close	5
				Pneumatic SR Fail Open	6
				Hydraulic	7
				Electric	8
2. Body Class		7. Shaft Material		12. Special Feature	
150 PSI Max. Diff. Pressure	0	17-4PH SS <sup>1</sup> w/DHT	D	None	O
ASME 150	1	17-4PH SS <sup>1</sup>	1	Bi-directional	B
ASME 300	3	316 SS	2	Chlorine Service	C
ASME 600	6	Monel® <sup>1</sup>	3	Dead-end Service (DDES) <sup>2</sup>	D
		Inconel® 718/750	6	CE Marked (impact tested) <sup>3</sup>	PI
		Ferrallium A479	7	CE Marked (non-impact tested) <sup>3</sup>	PN
		Nitronic 50	0	CE Marked (impact tested w/ vacuum service) <sup>3</sup>	VI
		ASTM B472 AL-6XN	A	CE Marked (non-impact tested w/ vacuum service) <sup>3</sup>	VN
				EF Seal (low emissions)	E
				EF Seal Vacuum Service (low emissions)	EV
				Silicone Free	G
				Epoxy Coated Body	H
				Chainwheel	J
				Stem Extension	K
				Lockable Gear	L
				Limit Switch w/Stainless Steel Bolting	L1
				Limit Switch w/Monel® Bolting	L2
				Gear with Memory Stop	MS
				NACE Construction <sup>5</sup>	N
				NACE Construction (w/CE marked impact tested) <sup>3,5</sup>	NI
				NACE Construction (w/CE marked NON-impact tested) <sup>3,5</sup>	NN
				Buried Service	R
				Drill Through Lugs	T
				Drill Through Lugs and NACE Constr.	TN
				Vacuum Service	V
				Only select ONE special feature code per part number.	
5. Body Material		9. Packing Material		13. Series	
Carbon Steel	1	TFE	T	*Factory Assigned	J
316 SS	2	Graphite	G		
Aluminum Bronze MIL-B-24480	5	Fire-Flow	F		
Aluminum Bronze B148 ASTM C958	8	Live-Load Packing/TFE	A		
2205 Duplex ASTM A890 Gr 4A	B	Live-Load Packing/Graphite	B		
		Live-Load Packing/Fire-Flow	C		
		EF Seal (Viton® O-Rings)/TFE	D		
3. Body Type		8. Seat Material / O-Ring		10. Bearing Material	
Wafer	W	TFE / Viton® <sup>4</sup>	T	Garfil (Glass Backed TFE)	G
Lugged	L	RTFE / Silicone <sup>5</sup>	R	316 SS Backed TFE	H
Lugged DDES <sup>2</sup>	D	RTFE / Viton® <sup>4</sup>	P	Fire-Flow (Garfil & 316 SS)	F
		Polyethylene (UHMWPE) / Viton® <sup>4</sup>	L	Stainless Steel Nitrided	S
		Fire-Flow (TFE & Metal) / Viton® <sup>4</sup>	F	Bronze	B
		Fire-Flow (RTFE & Metal) / Viton® <sup>4</sup>	A	Monel®	K
		Fire-Flow (RTFE & Metal) / Silicone	B		
		Inconel®	M		
		Fire-Flow (TFE & Metal) / Silicone	J		

**FLOWSEAL ACTUATOR OPTIONS:**

**Lever:**

- Not recommended for Metal Seat
- High Performance Butterfly Valve

**Worm Gear Operators:**

**Five types available:**

- High temperature service
- Buried service
- Submersible service
- Marine service
- Standard aluminum handwheel

**Optional:**

- Chain wheel
- Output shaft extension
- Input shaft extension
- Military special operator
- AWWA special operator

**Hydraulic Actuator:**

- Customer specified hydraulic actuator

**Pneumatic Actuators:**

- Crane Revo® spring return pneumatic actuator
- Crane Revo® double acting pneumatic actuator
- Customer specified pneumatic actuator

**Electric Actuators:**

- Series 44000 electric actuator
- Customer specified electric actuator

**Note<sup>1</sup>** Shaft materials other than 17-4 PH or Monel® will affect working pressure ratings. Please consult factory.  
**Note<sup>2</sup>** DDES = Double Dead End Service.  
**Note<sup>3</sup>** For CE marked valves, see Body Rating chart on page 18, as temp ranges can vary per material.  
**Note<sup>4</sup>** Viton® O-Ring is recommended for use in Hydrocarbon and NACE service.  
**Note<sup>5</sup>** RTFE/Silicone combination is not to be used with "NACE" valves.

Viton® is a registered trademark of DuPont Performance Elastomers L.L.C.  
Hastelloy C® is a registered trademark of Haynes International, Inc.  
Monel® and Inconel® is a registered trademark of Special Metals Corporation

# Valve Torque Tables Engineering Data

## DESCRIPTION OF TORQUE

What is TORQUE?

Torque is any (man or machine) effort which tends to cause rotation or turning. In engineering terms, torque is defined as force acting at some distance from the center of rotation. More correctly, torque equals force times the perpendicular distance from the center of rotation. The perpendicular distance from the center of turning is sometimes called a "moment arm".

Torque is measured in units of distance and force; for example, inch pounds, or foot pounds. The equation for torque is:

$$T = F \times A$$

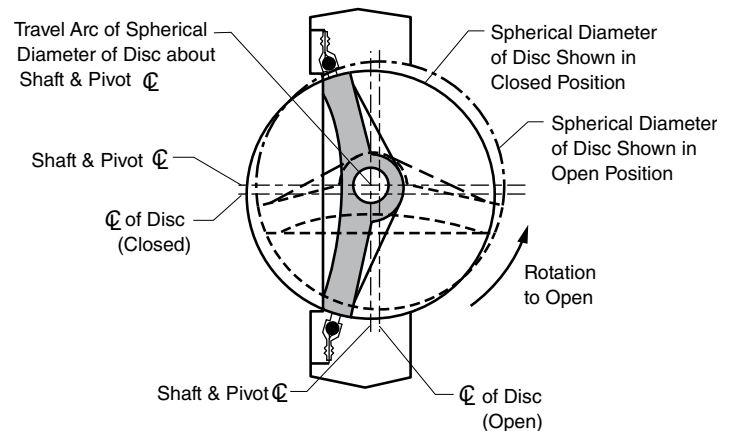
*(Torque equals Force times Moment Arm)*

## HIGH-PERFORMANCE BUTTERFLY VALVE TORQUE

The High-Performance Butterfly Valve (HPBFV) is a "Quarter-Turn" valve design; that is, it rotates one-quarter of a full 360° turn to move from open to closed or from closed to open.

Seating torque is created by contact between the disc and seat as the disc rotates closed. Unseating torque is created by the disc breaking away from the seat as the disc rotates open. The Flowseal seat creates a seal at no-to-low pressure conditions by means of a mechanical "preload" between the disc and the seat; this pre-loading allows the seat seal to be self-energized. When line pressure is introduced, the Flowseal seat is designed to use the line pressure to create an even tighter seal between the disc and the seat (the higher the pressure, the tighter the seal); this dynamic sealing causes the Flowseal seat to be pressure energized. The valve seating and unseating torque increases as the seat seal moves from the self-energized mode to the pressure-energized mode. (Refer to the valve torque tables for the appropriate torque.)

A difference in torque exists between the seat upstream (SUS) and seat downstream (SDS) positions because of the disc and shaft design. All Flowseal HPBVs have both off-set discs and eccentric shafts. The off-set is applicable to the disc edge seating surface relative to the shaft center line. By off-setting the seating surface from the rotational center line, a contact with the seat is possible throughout the 360° circumference. The shaft is eccentric in the body by 0.060 ins. and this enhances seat life by imparting a camming action to the disc as it rotates both in and out of the seat. Seat wear points are eliminated at the top and bottom of the disc and operating torque is reduced.



## FLOWSEAL HPBV ECCENTRIC SHAFT DESIGN

In the SUS position (preferred pipeline flow direction), the line pressure tends to assist in opening the valve disc. In the SDS position, the line pressure tends to assist in keeping the valve disc closed; also, line pressure acting on the surface of the disc creates more mechanical pre-load between the disc and seat. Therefore, SDS torque values are higher than SUS values.

# Valve Torque Tables Engineering Data

## ASME Class 150

### I. SEATING and UNSEATING TORQUE VALUES

(All Torques are in Inch Pounds)

VALVE SIZE	SOFT SEAT			
	SEAT UPSTREAM (SUS)		SEAT DOWNSTREAM (SDS)	
	0-150 PSIG	285 PSIG	0-150 PSIG	285 PSIG
3"	200	270	200	320
4"	225	470	410	610
6"	540	680	860	1320
8"	910	1620	1620	2580
10"	1620	2530	2630	4550
12"	2530	3600	4160	6350
14"	3720	5970	6200	9000
16"	5530	9180	9000	14700
18"	6840	11900	14500	20100
20"	10020	16970	18000	27200
24"	18330	32290	28100	43000
30"	32330	56930	45500	71800
36"	47000	81000	66000	102000
42"	65000	111000	92000	140000
48"	83000	146000	115000	184000

VALVE SIZE	FIRE-FLOW SEAT			
	SEAT UPSTREAM (SUS)		SEAT DOWNSTREAM (SDS)	
	0-150 PSIG	285 PSIG	0-150 PSIG	285 PSIG
3"	480	540	550	660
4"	645	770	800	1050
6"	1520	1740	2420	3380
8"	2350	2950	4180	4700
10"	4080	5100	6630	9200
12"	5830	7500	9600	13300
14"	9100	11300	15200	17000
16"	11900	16400	19400	26300
18"	17300	22100	36700	37400
20"	23700	34300	42600	55000
24"	36700	59800	56300	79600
30"	61200	89800	86100	113300
36"	C.F.	C.F.	C.F.	C.F.
42"	C.F.	C.F.	C.F.	C.F.

VALVE SIZE	METAL SEAT			
	SEAT UPSTREAM (SUS)		SEAT DOWNSTREAM (SDS)	
	0-150 PSIG	285 PSIG	0-150 PSIG	285 PSIG
3"	900	1250		
4"	1200	1550		
6"	2500	3200		
8"	3800	4700		
10"	6400	8700		
12"	8600	12800	CONSULT FACTORY	CONSULT FACTORY
14"	11200	15100		
16"	17800	24200		
18"	26100	32300		
20"	33500	47600		
24"	53000	71000		
30"	80500	115000		
36"	C.F.	C.F.		
42"	C.F.	C.F.		

Torques shown are for on/off applications and include sizing margins appropriate to normal liquid and gas applications. For severe services, or unusual fluids or slurries, consult factory.

### II. HYDRODYNAMIC TORQUE VALUES

The equal percentage flow characteristics of the Flowseal HPBV makes it well-suited for proportional control applications. Hydrodynamic valve torques develop as a result of the pipeline process conditions (media, velocity, pressure, temperature, and turbulence) and the shape and degree position of the valve disc. Under certain conditions, hydrodynamic torques can meet or exceed seating and unseating torques; when selecting actuators for throttling services, hydrodynamic torque must be considered to help ensure correct selection of actuation.

The chart below provides a  $C_t$  (Torque Coefficient) factor to aid in actuator sizing. The  $C_t$  factors are based on water at ambient temperature, and do not take into account other factors such as: cavitation, flashing, noise, vibration, etc. These considerations should be addressed prior to hydrodynamic torque sizing.

The equation for hydrodynamic torque is:

$$T_d = C_t \times \Delta P$$

$\Delta P$  = Pressure Drop in PSIG

$C_t$  = Torque Coefficient Factor

$T_d$  = Dynamic Torque in Inch Pounds

VALVE SIZE	10°	20°	30°	40°	50°	60°	70°	80°	90°
	C <sub>t</sub> = TORQUE COEFFICIENT FACTORS								
3"	1.23	1.59	2.56	4.00	6.25	9.09	14.29	12.99	15.87
4"	2.38	3.03	4.76	7.69	11.49	16.39	25.00	24.39	32.26
6"	5.00	7.69	14.29	24.39	43.48	71.43	111.11	100.00	125.00
8"	12.99	19.23	31.25	55.56	90.91	158.73	256.41	217.39	238.10
10"	22.73	34.48	55.56	100.00	166.67	277.78	454.55	384.62	416.67
12"	33.33	52.63	100.00	166.67	333.33	467.19	625.00	588.24	625.00
14"	35.71	55.56	90.91	158.73	256.41	454.55	714.29	625.00	769.23
16"	66.67	106.38	185.19	322.58	625.00	613.50	1333.33	1219.51	1351.35
18"	83.33	120.48	208.33	357.14	588.24	1000.00	1538.46	1333.33	1428.57
20"	126.58	196.08	344.83	588.24	1136.36	1724.14	2500.00	2272.73	2439.02
24"	200.00	322.58	588.24	1000.00	1960.78	2702.70	4000.00	3571.43	3846.14
30"	333.33	526.32	1000.00	1694.92	3333.33	4761.90	6666.67	5882.35	6250.00



# Valve Torque Tables Engineering Data

## ASME Class 300

### I. SEATING and UNSEATING TORQUE VALUES

(All Torques are in Inch Pounds)

VALVE SIZE	SOFT SEAT											
	SEAT UPSTREAM (SUS)						SEAT DOWNSTREAM (SDS)					
	0-150 psig	285 psig	400 psig	500 psig	600 psig	700 psig	0-150 psig	285 psig	400 psig	500 psig	600 psig	700 psig
3"	220	300	440	520	595	700	220	350	520	600	675	700
4"	250	520	610	670	790	970	460	675	850	1000	1150	1300
6"	600	750	940	1120	1330	1630	950	1450	1750	2100	2300	2750
8"	1000	1800	1950	2440	2810	3390	1800	2850	3400	4000	4500	5250
10"	1800	2790	3840	4640	5370	6510	2900	5000	5700	6700	7600	8750
12"	2790	4000	6140	7480	8590	11390	4600	7000	8000	9500	11000	12850
14"	4130	6640	8630	10200	12100	14940	8200	11500	14500	17000	18000	22000
16"	6140	10200	14000	17070	19640	24440	14000	17000	23500	26500	30000	35100
18"	7600	13220	17100	20400	23990	29460	17500	24000	30000	34000	38000	44500
20"	11140	18860	25010	31530	36310	42990	23500	32000	40000	44500	51500	59400
24"	20370	35870	48260	58820	71330	85080	38000	52000	61500	70000	79500	90000
30"	35920	63260	88430	109620	125290	156780	80000	110000	135000	155000	182000	200000

VALVE SIZE	FIRE-FLOW SEAT											
	SEAT UPSTREAM (SUS)						SEAT DOWNSTREAM (SDS)					
	0-150 psig	285 psig	400 psig	500 psig	600 psig	700 psig	0-150 psig	285 psig	400 psig	500 psig	600 psig	700 psig
3"	550	620	700	750	800	910	688	806	910	975	1040	1183
4"	800	880	1040	1230	1420	1510	1000	1144	1352	1599	1846	1963
6"	1750	2000	2180	2350	2550	3000	2975	3400	3700	4000	4335	5100
8"	2700	3300	3900	4700	5100	5800	4590	5610	6630	8000	8670	9860
10"	4700	5600	6600	7400	8600	9300	7990	9520	11220	12600	14620	15810
12"	6700	8300	10800	12000	14160	17420	11390	14110	18360	20400	24070	29615
14"	9100	11300	13110	17280	20500	25320	14570	19210	22290	29380	34850	43040
16"	11900	16400	22580	27530	31670	39420	20230	27880	38390	46800	53840	67000
18"	17300	22100	28500	34000	40000	49100	29410	37570	48450	57800	68000	83470
20"	23700	34300	45470	57320	66020	78160	40290	58310	77300	97450	112230	132870
24"	36700	59800	80430	98030	118800	141800	55050	83720	112600	137250	166300	198500
30"	61200	89800	126320	156600	179000	224000	91800	125720	176850	219250	250600	313600

VALVE SIZE	METAL SEAT											
	SEAT UPSTREAM (SUS)						SEAT DOWNSTREAM (SDS)					
	0-150 psig	285 psig	400 psig	500 psig	600 psig	700 psig	0-150 psig	285 psig	400 psig	500 psig	600 psig	700 psig
3"	900	1250	1400	1550								
4"	1200	1550	1700	1850								
6"	2800	3400	4300	5700								
8"	4100	5300	6600	8100								
10"	6800	9200	11300	14500								
12"	9100	13500	17400	23600	CONSULT FACTORY			CONSULT FACTORY				
14"	12100	17900	22600	29800	CONSULT FACTORY			CONSULT FACTORY				
16"	19100	26700	31400	38800	CONSULT FACTORY			CONSULT FACTORY				
18"	28700	37300	46400	53200	CONSULT FACTORY			CONSULT FACTORY				
20"	39200	53400	65100	81000	CONSULT FACTORY			CONSULT FACTORY				
24"	67000	83200	97600	109200	CONSULT FACTORY			CONSULT FACTORY				
30"	112000	131000	164000	193000	CONSULT FACTORY			CONSULT FACTORY				

Torques shown are for on/off applications and include sizing margins appropriate to normal liquid and gas applications. For severe services, or unusual fluids or slurries, consult factory.

### II. HYDRODYNAMIC TORQUE VALUES

The chart below provides a  $C_t$  (Torque Coefficient) factor to aid in actuator sizing. The  $C_t$  factors are based on water at ambient temperature, and do not take in to account other factors such as: cavitation, flashing, noise, vibration, etc. These considerations should be addressed prior to hydrodynamic torque sizing.

The equation for hydrodynamic torque is:

$$T_d = C_t \times \Delta P$$

$\Delta P$  = Pressure Drop in PSIG  
 $C_t$  = Torque Coefficient Factor  
 $T_d$  = Dynamic Torque in Inch Pounds

VALVE SIZE	Disc Position in Degrees Open								
	10°	20°	30°	40°	50°	60°	70°	80°	90°
	Ct = TORQUE COEFFICIENT FACTORS								
3"	0.94	1.23	2.00	3.13	4.76	7.14	10.64	12.99	12.66
4"	1.75	2.22	3.57	5.56	8.33	12.05	18.52	22.73	23.26
6"	3.70	5.88	10.42	17.54	30.30	52.63	78.74	76.92	83.33
8"	9.09	13.70	22.22	38.46	66.67	109.89	185.44	169.49	163.93
10"	15.15	23.26	38.46	66.67	112.36	185.19	303.03	263.16	270.27
12"	23.81	38.46	71.43	117.65	232.56	333.33	454.55	434.78	444.44
14"	33.33	50.00	83.33	144.93	238.10	400.00	625.00	588.24	666.67
16"	62.50	100.00	163.93	277.78	500.00	769.23	1162.79	1098.90	1176.47
18"	66.67	102.04	175.44	285.71	454.78	769.23	1204.82	1190.48	1234.57
20"	102.04	163.93	277.78	476.19	909.09	1315.79	1923.08	1785.71	2040.82
24"	158.73	250.00	454.55	769.23	1369.86	2083.33	3125.00	2777.78	2941.18
30"	357.14	500.00	1010.10	1694.92	3125.00	4545.45	6250.00	5882.35	6060.61



# Valve Torque Tables Engineering Data

## ASME Class 600

### I. SEATING and UNSEATING TORQUE VALUES

(All Torques are in Inch Pounds)

SOFT SEAT						
	SEAT UPST REAM (SUS)					
	0-150 psig	500 psig	800 psig	1000 psig	1200 psig	1480 psig
3"	240	620	720	749	878	1034
4"	341	690	893	1063	1248	1473
6"	710	1330	1861	2215	2601	3065
8"	1423	3079	4498	5444	6476	7714
10"	2371	5469	8124	9894	11825	14142
12"	3795	9357	14124	17302	20758	24929
14"	4860	12312	18699	22957	27600	33176
16"	6820	17278	26241	32216	38732	46558

SOFT SEAT						
	SEAT DOWNSTREAM (SDS)					
	0-150 psig	500 psig	800 psig	1000 psig	1200 psig	1480 psig
3"	290	629	760	943	1061	1250
4"	477	1035	1431	1550	1746	2061
6"	994	2196	2850	3101	3640	4291
8"	1992	4310	6297	7622	9066	10800
10"	3319	7657	11374	13852	16555	19800
12"	5313	13100	19774	24223	29075	34900
14"	6804	17237	26180	32140	38640	46440
16"	9549	24190	36740	45104	54226	65180

Torques shown are for on/off applications and include sizing margins appropriate to normal liquid and gas applications. For severe services, or unusual fluids or slurries, consult factory.

**FIRE-FLOW SEAT TORQUES : Consult Factory**

**METAL SEAT TORQUES: Consult Factory**

### II. HYDRODYNAMIC TORQUE VALUES: Consult Factory

#### MATERIAL DESCRIPTIONS:

MATERIAL FORM	DESCRIPTION	GENERIC NAME	SPECIFICATION	GRADE	CONDITIONS /COMMENTS
CASTING	A216 WCB	CARBON STEEL	ASTM A 216	WCB	NORMALIZE & TEMPER
	A351 CF8M	STAINLESS STEEL 316	ASTM A 351	CF8M	SOLUTION ANNEALED
	A351 CN7M	ALLOY 20	ASTM A 351	CN7M	SOLUTION ANNEALED
	A352 LCB	CARBON STEEL T O -50F	ASTM A 352	LCB	QUENCH & TEMPER
	MIL-B-2448 0	ALUMINUM BRONZE	MIL-B-24480A (SH)	-	ANNEALED
	QQ-N-288	MONEL	QQ-N-288 / AMO 3	COM P. A	ANNEALED
BARSTOCK	NITR 50	NITRONIC 50	ASTM A 479	XM19	-
	A479 316	STAINLESS STEEL 316	ASTM A 479	316	-
	17- 4 H1075	17- 4PH	ASTM A 564	630	H1075
	17- 4 H1150	17- 4PH	ASTM A 564	630	H1150
	B473 20CB	ALLOY 20	ASTM B 473	-	-
	QQ-N-281	MONEL	QQ-N-2810 /AMO 2	CLASS A FORM 1	ANNEALED
	INC 718	INCONEL 718	ASTM A 6 37	718	-
	C.S.	CARBON STEEL	AS AV AILABLE	VARIOUS	LOW C (1018) NON-PRESS. PARTS
	18-8 SS	STAINLESS STEEL	AS AV AILABLE	VARIOUS	300 SERIES (304) NON-PRESS. PARTS
BOLTING	A193-87	ALLOY STEEL	ASTM A 193	B7	-
	A193-B8M	STAINLESS STEEL 316	ASTM A 193	B8M	-
	ALY STL	ALLOY STEEL	SAE	5	BRACKET & ACCESSORY BOLTING
	18-8 SS	STAINLESS STEEL	-	-	300 SERIES STAINLESS STEEL



# Body & Components Pressure/Temperature Ratings

## BODY RATING

The charts below reflect the pressure/temperature ratings for carbon steel and stainless steel valves, in accordance with ASME B16.34. The hydrostatic shell test is performed on the body at 150% of the cold working pressure (C.W.P. is defined as the pressure rating between -20 to 100°F [-28°C to 37°C]) and the hydrostatic seat test is performed on the disc and seat at 110% of the cold working pressure.

°F	Maximum Non-Shock Working Pressure-PSI								
	Carbon Steel <sup>(1)</sup>			Carbon Steel <sup>(2)</sup>			316SS		
ASME Class	150	300	600	150	300	600	150	300	600
<b>HYDROSTATIC SHELL TEST</b>	450	1125	2225	450	1125	2225	425	1100	2175
<b>HYDROSTATIC SEAT TEST</b>	315	815	1630	315	815	1630	305	800	1585
<b>-20 - 32</b>	285	740	1480	-	-	-	275	720	1440
<b>32-100</b>	285	740	1480	285	740	1480	275	720	1440
<b>200</b>	260	675	1350	260	675	1350	240	620	1240
<b>300</b>	230	655	1315	230	655	1315	215	560	1120
<b>400</b>	200	635	1270	200	635	1270	195	515	1030
<b>500</b>	170	600	1200	170	600	1200	170	480	955
<b>600</b>	140	550	1095	140	550	1095	140	450	905
<b>650</b>	125	535	1075	125	535	1075	125	445	890
<b>700</b>	110	535	1065	110	535	1065	110	430	865
<b>750</b>	95	505	1010	95	505	1010	95	425	845
<b>800</b>	80	410	825	80	410	825	80	415	830
<b>850</b>							65	405	810
<b>900</b>							50	395	790
<b>1000</b>							20	365	725

°C	Maximum Non-Shock Working Pressure-Bars								
	Carbon Steel <sup>(1)</sup>			Carbon Steel <sup>(2)</sup>			316SS		
ASME Class	150	300	600	150	300	600	150	300	600
<b>HYDROSTATIC SHELL TEST</b>	30	77	153	30	77	153	29	75	150
<b>HYDROSTATIC SEAT TEST</b>	22	56.9	112.4	22	56.9	112.4	20.9	54.6	109.3
<b>-29 to 0</b>	19.6	51.1	102.1	-	-	-	19.0	49.6	99.3
<b>0 to 38</b>	19.6	51.1	102.1	19.6	51.1	102.1	19.0	49.6	99.3
<b>50</b>	19.2	50.1	100.2	19.2	50.1	100.2	18.4	48.1	96.3
<b>100</b>	17.7	46.4	92.8	17.7	46.4	92.8	16.2	42.2	84.4
<b>150</b>	15.8	45.2	90.5	15.8	45.2	90.5	14.8	38.5	77.0
<b>200</b>	14.0	43.8	87.6	14.0	43.8	87.6	13.7	35.7	71.3
<b>250</b>	12.1	41.7	83.4	12.1	41.7	83.4	12.1	33.4	66.8
<b>300</b>	10.2	38.7	77.5	10.2	38.7	77.5	10.2	31.6	63.3
<b>350</b>	8.4	37.0	73.9	8.4	37.0	73.9	8.4	30.4	60.8
<b>400</b>	6.5	34.5	69.0	6.5	34.5	69.0	6.5	29.1	58.2
<b>425</b>	5.6	28.8	57.5	5.6	28.8	57.5	5.6	28.7	57.3
<b>450</b>							4.7	28.1	56.2
<b>500</b>							2.8	26.8	53.7
<b>525</b>							1.9	25.8	51.6

<sup>(1)</sup> CE impact tested materials and standard non-impact tested materials.  
<sup>(2)</sup> CE non-impact tested materials.

<sup>(1)</sup> CE impact tested materials and standard non-impact tested materials.  
<sup>(2)</sup> CE non-impact tested materials.

## COMPONENTS RATING

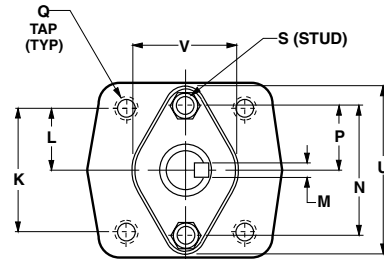
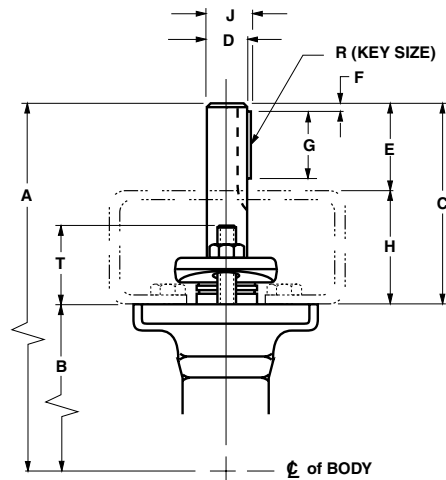
The chart at right reflects the maximum temperature ratings for individual components of the Flowseal HPBV.

Special care should be taken when specifying component materials for valves at elevated temperatures, especially metal seat valves.

Consult factory if additional information is required regarding the suitability of components for specific pressure/temperature applications.

Description & Material	Temperature	
	°F	°C
Seat Seal (Soft Seated)		
TFE	-100 to 400	-73 to 204
RTFE	-100 to 500	-73 to 260
UHMWPE	-100 to 200	-73 to 93
Seat Seal (Fire-Flow)		
TFE/Inconel®	-100 to 400	-73 to 204
RTFE/Inconel®	-100 to 500	-73 to 260
Seat Seal (Metal Seats)		
Inconel® 718	-100 to 1150	-73 to 621
316 Stainless Steel	-100 to 1000	-73 to 538
Seat O-Ring		
Silicone (Standard with RTFE)	-100 to 500	-73 to 260
Viton® (Standard with TFE)	-50 to 400	-46 to 204
Stem Packing		
TFE	-100 to 500	-73 to 260
Graphite	-100 to 1150	-73 to 621
Shaft		
17-4PH H1150	-100 to 800	-73 to 427
17-4PH H1150M	-100 to 800	-73 to 427
316 Stainless Steel	-100 to 1150	-73 to 621
K-Monel® 500	-100 to 1150	-73 to 621
Inconel® 718	-100 to 1150	-73 to 621
Bearings		
TFE/Fiberglass Composite	-100 to 500	-73 to 260
RTFE/316 Stainless Steel	-100 to 500	-73 to 260
Bronze	-100 to 750	-73 to 339
Steel	-100 to 1150	-73 to 621
316 Stainless Steel	-100 to 1000	-73 to 538
Disc Treatment		
Electroless Nickel Plating	-100 to 750	-73 to 399
Stellite	-100 to 1150	-73 to 621
Malcomizing	-100 to 900	-73 to 482

# Valve Mouting Pad Dimensions Engineering Data



SIZE	CLASS	SERIES	A	B	C	D	E	F	G	H	J	K	L	M	N	P	Q	R	S	T	U	V
2	150	J	7.59	4.25	3.34	.500	1.15	.15	.88	2.19	.576	2.25	1.13	.188	2.38	1.19	3/8-16	3/16 x .88	5/16-18	1.63	3.13	1.38
	300	J	7.59	4.25	3.34	.500	1.15	.15	.88	2.19	.576	2.25	1.13	.188	2.28	1.19	3/8-16	3/16 x .88	5/16-18	1.63	3.13	1.38
2 1/2	150	J	7.59	4.25	3.34	.500	1.15	.15	.88	2.19	.576	2.25	1.13	.188	2.38	1.19	3/8-16	3/16 x .88	5/16-18	1.63	3.13	1.38
	300	J	7.59	4.25	3.34	.500	1.15	.15	.88	2.19	.576	2.25	1.13	.188	2.28	1.19	3/8-16	3/16 x .88	5/16-18	1.63	3.13	1.38
3	150	J	8.60	5.00	3.60	.625	1.41	.15	1.19	2.19	.705	2.25	1.13	.188	2.38	1.19	3/8-16	3/16 x 1.19	5/16-18	1.63	3.13	1.38
	300	J	8.60	5.00	3.60	.625	1.41	.15	1.19	2.19	.705	2.25	1.13	.188	2.38	1.19	3/8-16	3/16 x 1.19	5/16-18	1.63	3.13	1.38
	600	J	8.60	5.00	3.60	.625	1.41	.15	1.19	2.19	.705	2.25	1.13	.188	2.38	1.19	3/8-16	3/16 x 1.19	5/16-18	1.63	3.13	1.38
3 1/2	150	J	8.72	5.12	3.60	.625	1.41	.15	1.19	2.19	.705	2.25	1.13	.188	2.38	1.19	3/8-16	3/16 x 1.19	5/16-18	1.63	3.13	1.38
	300	J	8.72	5.12	3.60	.625	1.41	.15	1.19	2.19	.705	2.25	1.13	.188	2.38	1.19	3/8-16	3/16 x 1.19	5/16-18	1.63	3.13	1.38
4	150	J	9.42	5.75	3.67	.625	1.48	.15	1.19	2.19	.705	2.25	1.13	.188	2.38	1.19	3/8-16	3/16 x 1.19	5/16-18	1.63	3.13	1.38
	300	J	9.42	5.75	3.67	.625	1.48	.15	1.19	2.19	.705	2.25	1.13	.188	2.38	1.19	3/8-16	3/16 x 1.19	5/16-18	1.63	3.13	1.38
	600	J	9.81	6.00	3.81	.750	1.62	.15	1.25	2.19	.854	2.25	1.13	.250	2.38	1.19	3/8-16	1/4 x 1.25	5/16-18	1.88	3.13	1.38
5	150	J	10.28	6.47	3.81	.750	1.62	.15	1.25	2.19	.854	2.25	1.13	.250	2.38	1.19	3/8-16	1/4 x 1.25	5/16-18	1.63	3.13	1.38
	300	J	10.28	6.47	3.81	.750	1.62	.15	1.25	2.19	.854	2.25	1.13	.250	2.38	1.19	3/8-16	1/4 x 1.25	5/16-18	1.63	3.13	1.38
6	150	J	10.81	7.00	3.81	.750	1.62	.15	1.25	2.19	.854	2.25	1.13	.250	2.38	1.19	3/8-16	1/4 x 1.25	5/16-18	1.63	3.13	1.38
	300	J	10.81	7.00	3.81	1.000	1.62	.15	1.25	2.19	1.152	2.25	1.13	.375	2.38	1.19	3/8-16	3/8 x 1.25	5/16-18	1.63	3.13	1.88
	600	J	11.71	7.62	4.09	1.250	1.90	.15	1.50	2.19	1.409	3.25	1.63	.375	3.00	1.50	3/8-16	3/8 x 1.50	3/8-16	1.63	3.88	2.25
8	150	J	11.94	8.13	3.81	1.000	1.62	.15	1.25	2.19	1.152	2.25	1.13	.375	2.38	1.19	3/8-16	3/8 x 1.25	5/16-18	1.63	3.13	1.88
	300	J	12.22	8.13	4.09	1.250	1.90	.15	1.50	2.19	1.409	3.25	1.63	.375	3.00	1.50	3/8-16	3/8 x 1.50	3/8-16	1.88	3.88	2.25
	600	J	13.97	9.13	4.84	1.500	2.65	.15	2.25	2.19	1.663	3.25	1.63	.375	3.00	1.50	3/8-16	3/8 x 2.25	3/8-16	1.88	3.88	2.50
10	150	J	12.97	8.88	4.09	1.250	1.90	.15	1.50	2.19	1.409	3.25	1.63	.375	3.00	1.50	3/8-16	3/8 x 1.50	3/8-16	1.63	3.88	2.50
	300	J	14.22	9.38	4.84	1.500	2.65	.15	2.25	2.19	1.663	3.25	1.63	.375	3.00	1.50	3/8-16	3/8 x 2.25	3/8-16	1.88	3.88	2.50
	600	H	17.90	11.00	6.90	1.750	2.90	.15	2.50	4.00	1.964	4.25	2.13	.500	3.00	1.50	1/2-13	1/2 x 2.50	3/8-16	2.38	3.88	2.50
12	150	J	15.47	10.63	4.84	1.500	2.65	.15	2.25	2.19	1.663	3.25	1.63	.375	3.00	1.50	3/8-16	3/8 x 2.25	3/8-16	1.63	3.88	2.50
	300	J	17.90	11.00	6.90	1.750	2.90	.15	2.50	4.00	1.964	4.25	2.13	.500	3.00	1.50	1/2-13	1/2 x 2.50	3/8-16	1.88	3.88	2.50
	600	H	20.26	12.63	7.63	2.250	3.63	.25	3.00	4.00	2.561	5.00	2.50	.750	4.00	2.00	3/4-10	3/4 x 3.00	1/2-13	2.50	5.00	3.75
14	150	J	16.09	11.25	4.84	1.500	2.65	.15	2.25	2.19	1.663	3.25	1.63	.375	3.00	1.50	3/8-16	3/8 x 2.25	3/8-16	1.88	3.88	2.50
	300	H	19.74	12.38	7.36	2.000	3.35	.15	3.25	4.00	2.218	4.25	2.13	.500	4.00	2.00	1/2-13	1/2 x 3.25	1/2-13	2.50	5.00	3.75
	600	H	22.41	14.53	7.88	2.500	3.88	.25	3.50	4.00	2.820	5.00	2.50	.750	4.00	2.00	3/4-10	3/4 x 3.50	3/4-10	2.50	5.13	3.75
16	150	J	19.59	12.69	8.90	1.750	2.90	.15	2.50	4.00	1.964	4.25	2.13	.500	3.00	1.50	1/2-13	1/2 x 2.50	3/8-16	2.38	3.88	2.50
	300	H	21.82	14.00	7.82	2.250	3.82	.25	3.00	4.00	2.581	5.00	2.50	.750	4.00	2.00	3/4-10	3/4 x 3.00	1/2-13	2.50	5.00	3.75
	600	H	25.38	16.00	9.38	3.000	5.38	.25	5.00	4.00	3.330	5.00	2.50	.750	5.25	2.63	3/4-10	3/4 x 5.00	5/8-11	3.00	6.25	4.88
18	150	J	21.36	14.00	7.36	2.000	3.36	.15	3.25	4.00	2.218	4.25	2.13	.500	4.00	2.00	1/2-13	1/2 x 3.25	1/2-13	2.50	5.00	3.75
	300	H	23.01	15.13	7.86	2.500	3.88	.25	3.25	4.00	2.817	5.00	2.50	.750	4.00	2.00	3/4-10	3/4 x 3.25	1/2-13	2.50	5.00	3.75
20	150	J	22.76	15.13	7.63	2.250	3.63	.25	3.00	4.00	2.561	5.00	2.50	.750	4.00	2.00	3/4-10	3/4 x 3.00	1/2-13	2.50	5.00	3.75
	300	H	25.13	16.36	8.75	3.000	4.75	.25	4.50	4.00	3.327	5.00	2.50	.750	5.25	2.62	3/4-10	3/4 x 4.50	1/2-13	3.00	6.25	4.88
24	150	J	25.13	17.25	7.88	2.500	3.88	.25	3.25	4.00	2.817	5.00	2.50	.750	4.00	2.00	3/4-10	3/4 x 3.25	1/2-13	3.00	5.00	3.75
	300	H	28.01	19.38	8.63	3.500	4.63	.25	4.00	4.00	3.927	7.00	3.50	1.000	5.25	2.62	1"-8	1" x 4.00	1/2-13	3.00	6.25	4.88
30	150	H	29.38	20.63	8.75	3.000	4.75	.25	4.50	4.00	3.327	5.00	2.50	.750	5.25	2.62	3/4-10	3/4 x 4.50	1/2-13	2.50	6.25	4.88
	300	H	32.51	22.88	9.63	4.500	5.63	.25	5.00	4.00	4.944	7.00	3.50	1.000	7.00	3.50	1"-8	1" x 5.00	1/2-13	3.00	8.00	6.75
36	150	H	32.63	24.50	8.13	3.750	4.13	.25	3.50	4.00	4.182	7.00	3.50	1.000	6.00	3.00	1"-8	1" x 3.50	1/2-13	3.00	7.25	5.12
42	150	H	37.63	28.00	9.63	4.500	5.63	.25	5.00	4.00	4.944	7.00	3.50	1.000	7.00	3.50	1"-8	1" x 5.00	1/2-13	3.00	8.00	6.75
48	150	H	41.88	31.25	10.63	5.000	6.63	.25	6.00	4.00	5.546	9.00	4.50	1.250	7.00	3.50	1"-8	1 1/4 x 6.00	1/2-13	3.00	8.00	6.75



# Installation Instructions Engineering Data

## VALVE DESCRIPTION

1. The Flowseal High Performance Butterfly Valve is available in two body styles: Wafer (flangeless) and Lug (single flange).

## VALVE DESIGN

1. The Flowseal High Performance Butterfly Valve features a double offset (or, double eccentric) shaft design to minimize seat abrasion and lower torque. This double offset design allows the disc to lift off and come away from the seat as it rotates open.
2. The Flowseal valve always rotates clockwise to close (when viewed from above) and counterclockwise to open.
3. The valve body has an overtravel stop which prevents the disc from over rotating into the wrong quadrant. This stop is not to be used as a disc position stop; if the disc contacts the overtravel stop, this means it has rotated beyond the seat.
4. The Flowseal valve is bi-directional, but the preferred installation position is with the seat in the upstream position (SUS). Note the arrow on the metal tag attached to the valve body.

## SAFETY PRECAUTIONS

1. Be sure the line is depressurized and drained.
2. Be sure of the pipeline media. Proper care should be taken for protection against toxic and/or flammable fluids.
3. Never install the valve without an operator (manual or automatic) already attached to the valve shaft.
4. Never remove the operator from the valve while the valve is in the pipeline under pressure.
5. Always be sure that the disc is in the full-closed position before installing the valve.
6. Take care in handling the valve; if you treat it like a machine, it will operate like a machine...if you treat it like a piece of pipe, it may work like a piece of pipe.

## FLANGE COMPATIBILITY

The Flowseal valve is designed to fit between flanges as follows:

ASME Class 150	2" to 24"
MSS SP-44 Class 150	30" to 48"
ASME Class 300	2" to 24"
MSS SP-44 Class 300	30"
ASME Class 600	3" to 14"

## GASKET COMPATIBILITY

The Flowseal valve is designed to accommodate the use of standard fiber gaskets (such as non-asbestos, flexible graphite, or equivalent gasket materials) of 1/16" or less, meeting the dimensional requirements of ASME B16.21-1978. Thick elastomeric gaskets are not recommended.

Metallic wound (Flexitallic) gaskets may also be used.

## PIPE SCHEDULE COMPATIBILITY

The Flowseal valve is designed to allow the disc edge to rotate into the open position without interference with the pipeline I.D. in the following pipe schedules:

SIZE	ASME 150	ASME 300	ASME 600
2" – 12"	SCH 80	SCH 80	SCH 120
14" – 24"	SCH 40	SCH 80	SCH 120
30"	SCH 30	SCH 80	
36" – 42"	STD WT		
48"	XS		

## PRODUCT IDENTIFICATION

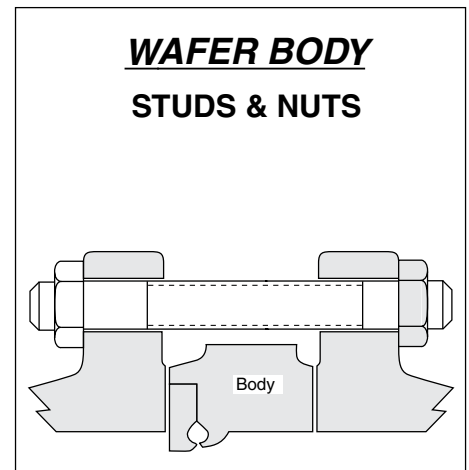
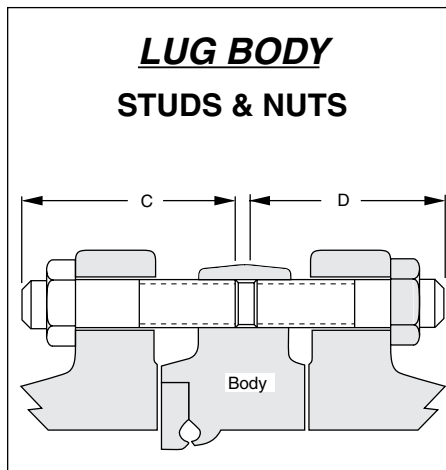
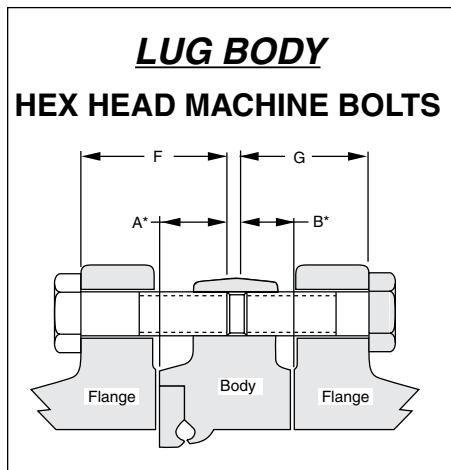
1. Every Flowseal valve has a metal identification tag attached to the valve body. Information includes the figure number, the size and pressure class, the materials of construction, and the operating pressures and temperatures.
2. Every Flowseal valve is hydrostatically tested before it is shipped. The metal tag also includes a serial number; this number, unique for each valve, is recorded by the Flowseal Quality Control Department along with the test results and material certification data, for individual traceability and verification of every valve produced.

## UNPACKING AND STORAGE INSTRUCTIONS

1. Check the packing list against the valve received to verify that the quantities, sizes, and materials are correct.
2. Check to make sure that the valve and operator were not damaged during shipment.
3. If the valve is to be stored before being installed, it should be protected from harsh environmental conditions.
4. Store the valve with the disc in the closed position to protect the sealing edge and the seat.
5. Keep the valve in a clean location, away from dirt, debris and corrosive materials.
6. Keep the valve in a dry area with the flange protectors attached.
7. Keep the valve in a cool location if possible, out of direct sunlight.

# Installation Instructions Engineering Data

## BOLTING DIMENSIONS



ASME Class 150 2" – 24" MSS SP-44 Class 150 30" – 48"																
			LUG VALVES												WAFER VALVES	
			BOLT ENGAGEMENT IN VALVE*				STUDS & NUTS				MACHINE BOLTS				STUDS & NUTS	
VALVE SIZE	VALVE SERIES	THREAD SIZE	QTY	LG	QTY	LG	QTY	LG	QTY	LG	QTY	LG	QTY	LG	QTY	LG
			A	A	B	B	C	C	D	D	F	F	G	G	E	E
2"	J	5/8-11	4	.940	4	.570	4	2.50	4	2.12	4	1.75	4	1.50	4	5.00
2 1/2"	J	5/8-11	4	.960	4	.680	4	2.62	4	2.38	4	2.00	4	1.62	4	5.25
3"	J	5/8-11	4	1.139	4	.725	4	3.00	4	3.00	4	1.88	4	1.62	4	6.00
4"	J	5/8-11	8	1.071	8	.745	8	3.00	8	3.00	8	2.00	8	1.62	8	6.00
5"	J	3/4-10	8	1.220	8	.790	8	3.12	8	2.62	8	2.25	8	1.75	8	6.00
6"	J	3/4-10	8	1.401	8	.839	8	3.50	8	2.75	8	2.38	8	1.75	8	6.50
8"	J	3/4-10	8	1.492	8	.948	8	3.75	8	3.00	8	2.50	8	2.00	8	6.50
10"	J	7/8-9	12	1.752	12	1.000	12	4.50	12	3.25	12	2.62	12	2.38	12	7.50
12"	J	7/8-9	12	2.147	12	1.025	12	4.50	12	3.25	12	3.38	12	2.25	12	8.00
14"	J	1-8	12	2.330	12	1.210	12	5.00	12	3.75	12	3.62	12	2.62	12	9.00
16"	J	1-8	16	2.648	16	1.270	16	5.25	16	4.00	16	4.00	16	2.62	16	10.00
18"	J	1 1/8-8	16	2.723	16	1.645	16	5.50	16	4.50	16	4.25	16	3.12	16	10.50
20"	J	1 1/8-8	16	3.396	20	1.434	16	6.25	20	4.50	16	5.12	20	3.19	16	11.00
	J	1 1/8-8	4**	2.325	-	-	4**	5.25	-	-	4**	4.06	-	-	8**	5.25
24"	J	1 1/4-8	20	3.690	20	2.250	20	6.75	20	5.25	20	5.50	20	4.12	20	12.50
30"	H	1 1/4-8	24	3.471	24	3.159	24	7.75	24	7.50	24	6.47	24	6.15	24	15.25
	H	1 1/4-8	4**	1.908	4**	1.592	4**	6.00	4**	5.75	4**	4.91	4**	4.59	8**	6.00
36"	H	1 1/2-8	28	3.760	28	3.740	28	9.00	28	9.00	28	7.19	28	7.19	28	18.25
	H	1 1/2-8	4**	1.760	4**	1.740	4**	6.75	4**	6.75	4**	5.25	4**	5.25	8**	6.75
42"	H	1 1/2-8	32	4.160	32	4.090	32	9.75	32	9.50	32	6.62	32	4.25	32	19.25
	H	1 1/2-8	4**	1.782	4**	1.718	4**	7.25	4**	7.25	4**	4.25	4**	4.25	8**	7.25
48"	H	1 1/2-8	40	5.520	40	4.850	40	11.75	40	11.00	40	9.83	40	9.16	40	21.00
	H	1 1/2-8	4**	2.815	4**	2.190	4**	7.75	4**	7.75	4**	7.12	4**	6.50	8**	7.75

Length of machine bolts based on:

1. Gasket thickness of 0.06 inches.
2. Minimum flange thickness of weld neck flanges per ASME B16.5.

Every effort is made to provide accurate information, but no liability for claims arising from erroneous data will be accepted by Flowseal.



# Installation Instructions Engineering Data

## BOLTING DIMENSIONS

ASME Class 300 2" – 24"																
MSS SP-44 Class 300 30"																
			LUG VALVES												WAFER VALVES	
VALVE SIZE	VALVE SERIES	THREAD SIZE	BOLT ENGAGEMENT IN VALVE*				STUDS & NUTS				MACHINE BOLTS				STUDS & NUTS	
			QTY	LENGTH	QTY	LENGTH	QTY	LENGTH	QTY	LENGTH	QTY	LENGTH	QTY	LENGTH	QTY	LENGTH
			A	A	B	B	C	C	D	D	F	F	G	G	E	E
2"	J	5/8-11	8	.940	8	.570	8	2.25	8	2.62	8	1.50	8	2.00	8	5.25
2 1/2"	J	5/8-11	8	.970	8	.670	8	2.75	8	3.00	8	1.75	8	2.00	8	5.75
3"	J	3/4-10	8	1.034	8	.826	8	3.00	8	3.00	8	2.12	8	.75	8	6.00
4"	J	3/4-10	8	1.196	8	.870	8	3.50	8	3.25	8	2.50	8	2.00	8	6.50
5"	J	3/4-10	8	1.220	8	.790	8	5.25	8	3.62	8	2.25	8	2.75	8	7.00
6"	J	3/4-10	12	1.301	12	.929	12	3.75	12	3.50	12	2.75	12	2.25	12	7.00
8"	J	7/8-9	12	1.702	12	1.128	12	4.50	12	4.00	12	3.25	12	2.75	12	8.25
10"	J	1-8	16	1.867	16	1.300	16	5.00	16	4.50	16	3.25	16	3.12	14	9.25
	J	1-8	-	-	-	-	-	-	-	-	-	-	-	-	4**	5.00
12"	J	1 1/8-8	16	2.057	16	1.475	16	5.50	16	5.00	16	4.00	16	3.38	12	10.00
	J	1 1/8-8	-	-	-	-	-	-	-	-	-	-	-	-	8**	5.25
14"	H	1 1/8-8	16	2.442	16	2.118	16	6.00	16	5.75	16	4.62	16	4.25	16	11.50
	H	1 1/8-8	4**	1.608	4**	1.267	4**	5.25	4**	4.75	4**	3.75	4**	3.44	8**	5.25
16"	H	1 1/4-8	16	2.562	16	2.628	16	6.50	16	6.50	16	4.88	16	4.88	16	13.00
	H	1 1/4-8	4**	1.538	4**	1.588	4**	5.25	4**	5.25	4**	3.88	4**	4.25	8**	5.25
18"	H	1 1/4-8	20	2.870	20	2.890	20	7.00	20	7.00	20	5.25	20	5.25	20	14.00
	H	1 1/4-8	4**	1.657	4**	1.437	4**	5.50	4**	5.50	4**	4.00	4**	3.88	8**	5.50
20"	H	1 1/4-8	20	3.184	20	3.006	20	7.50	20	7.25	20	5.69	20	5.69	20	14.50
	H	1 1/4-8	4**	1.681	4**	1.750	4**	5.75	4**	5.50	4**	4.19	4**	4.00	8**	5.75
24"	H	1 1/2-8	20	3.560	20	3.510	20	8.25	20	8.25	20	6.31	20	6.25	20	16.50
	H	1 1/2-8	4**	1.800	4**	1.750	4**	6.25	4**	6.25	4**	4.56	4**	4.50	8**	6.25
30"	H	1 3/4-8	24	4.331	24	4.429	24	10.25	24	10.50	24	7.88	24	7.88	24	20.50
	H	1 3/4-8	4**	2.039	4**	2.071	4**	8.00	4**	8.00	4**	5.44	4**	5.47	8**	8.00

ASME Class 600 3" – 14"																
			LUG VALVES												WAFER VALVES	
VALVE SIZE	VALVE SERIES	THREAD SIZE	BOLT ENGAGEMENT IN VALVE*				STUDS & NUTS				MACHINE BOLTS				STUDS & NUTS	
			QTY	LENGTH	QTY	LENGTH	QTY	LENGTH	QTY	LENGTH	QTY	LENGTH	QTY	LENGTH	QTY	LENGTH
			A	A	B	B	C	C	D	D	F	F	G	G	E	E
3"	J	3/4-10	8	1.034	8	1.026	8	3.50	8	3.50	8	2.25	8	2.38	8	7.00
4"	J	7/8-9	8	1.274	8	1.165	8	3.50	8	3.25	8	2.75	8	2.75	8	7.75
6"	J	1-8	12	1.274	12	1.306	12	4.75	12	4.75	12	3.25	12	3.25	12	9.50
8"	J	1 1/8-8	12	1.794	12	1.795	12	5.75	12	5.75	12	4.12	12	4.12	12	11.50
10"	H	1 1/4-8	12	2.495	12	2.000	12	6.75	12	6.25	12	5.00	12	4.50	12	13.00
	H	1 1/4-8	4**	1.375	4**	2.000	4**	5.50	4**	6.25	4**	3.88	4**	4.50	8**	6.25
12"	H	1 1/4-8	16	2.683	16	2.697	16	7.00	16	7.00	16	5.38	16	5.38	16	14.00
	H	1 1/4-8	4**	1.325	4**	1.765	4**	5.25	4**	6.00	4**	4.00	4**	4.38	8**	6.00
14"	H	1 3/8-8	16	2.994	16	2.996	16	7.50	16	7.50	16	CF	16	CF	16	15.00
	H	1 3/8-8	4**	1.506	4**	1.869	4**	6.00	4**	6.50	4**	CF	4**	CF	8**	6.50

\* Bolt lengths "A" & "B" are from face of valve body to minimum depth in lug. Flange & gasket thickness must be added to calculate minimum bolt length.

\*\* Special length required for tapped blind holes on either side of the valve shaft at the top and bottom ends of the valve body.

# Installation Instructions Engineering Data

## PRE – INSTALLATION PROCEDURE

1. Remove the protective face covers from the valve.
2. Inspect the valve to be certain the waterway is free from dirt and foreign matter. Be certain the adjoining pipeline is free from any foreign material such as rust and pipe scale or welding slag that could damage the seat and disc sealing surfaces.
3. Actuators should be mounted on the valve prior to installation to facilitate proper alignment of the disc in the valve seat.
4. The valve should be in the **closed position**. Make sure the open and closed positions of the actuator correspond to the counter-clockwise to open direction of rotation of the valve.

5. Cycle the valve to the fully open position, then back to the fully closed position, checking the actuator travel stop settings for proper disc alignment.
6. Check the valve identification tag for valve class, materials, and operating pressure to be sure they are correct for the application.

**WARNING!** Personal injury or property damage may result if the valve is installed where service conditions could exceed the valve ratings.



7. Check the flange bolts or studs on both sides of the valve for proper size, threading, and length.

## VALVE INSTALLATION PROCEDURE

The Flowseal High Performance Butterfly Valve can be installed in the pipeline with the shaft in the vertical, horizontal, or other intermediate position. Based on applications experience, however, in media with concentrations of solid or abrasive particles or media subject to solidification buildup, valve performance and service life will be enhanced by mounting the valve with the shaft in the horizontal position.

All Flowseal valves are bi-directional (in some instances, modifications may be required to operate this arrangement for dead end service) and can be mounted in the pipeline in either flow direction; however, the preferred flow direction for all seat styles and materials is with the seat retainer ring located upstream (sus) to provide maximum seat protection.

1. For Wafer style (flangeless) valves:
  - a. Loosely install the lower flange bolts to form a cradle between the flanges. See Figure 1.
  - b. Noting the flow direction arrow on the tag, place the valve and flange gaskets between the flanges, making sure the arrow on the tag points in the direction of the flow.
  - c. Install the remaining flange bolts, shifting the valve as necessary to permit the bolts to pass by or through the valve body.

2. For Lug style (single flange) valves:
  - a. Noting the flow direction arrow on the tag, place the valve between the flanges, making sure the arrow on the tag points in the direction of the flow.
  - b. Install the lower flange bolts loosely, leaving space for the flange gaskets.
  - c. After inserting the flange gaskets, install the remaining bolts.
3. Using the sequence shown in Figure 2, tighten the flange bolts evenly to assure uniform gasket compression.

- Caution:** The Flowseal valve should be centered between the flanges and gaskets to prevent damage to the disc edge and shaft as a result of the disc striking the flange, gasket, or pipe.
4. If an actuator is to be used, air hoses or electricity should be connected to the unit as specified by the actuator manufacturer.
  5. The valve is now ready for operation.

**Remember: Install the valve with the disc in the full-closed position!**

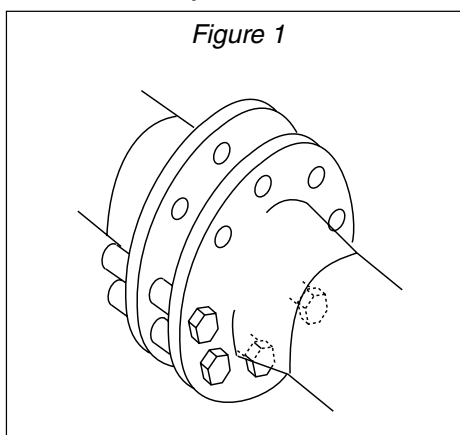


Figure 1

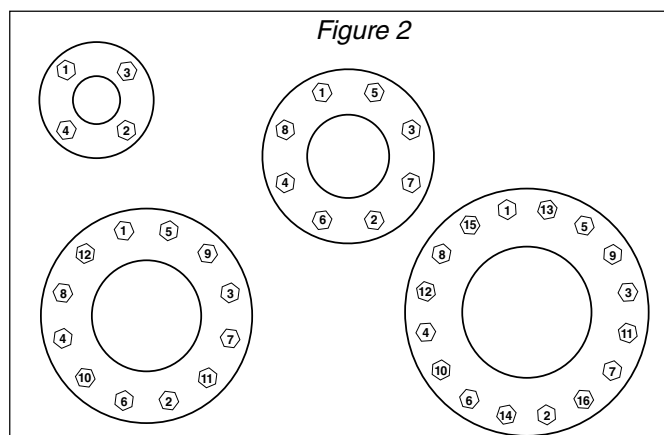


Figure 2



# Typical Specifications

## TYPICAL SOFT SEAT SPECIFICATION

- 1.0 Scope**  
This specification covers the design and testing of high pressure offset seat butterfly valves.
- 2.0 Applicable Standards**  
The following standards shall apply
- ASME B16.5: Pipe Flanges and Flanged Fittings (24" size and smaller).
  - ASME B16.34: Valves—Flanged and Butt-welding End.
  - MSS SP-25: Standard Marking System for Valves, Fittings, Flanges and Unions.
  - MSS SP-61: Pressure Testing of Steel Valves.
  - MSS SP-68: High Pressure—Offset Seat Butterfly Valves.
  - API 609: Butterfly Valves, Lug-Type and Wafer-Type.
  - PED Pressure Equipment Directive Section H
- 3.0 Design Requirement**
- 3.1 Valves shall be High Performance Butterfly with offset seat and eccentric shaft. They shall be capable of sealing against full differential pressure in either flow direction.
  - 3.2 Valve seat shall be both self and pressure energized with an elastomeric core. The self energizing member shall be isolated from the line media.
  - 3.3 Valves shall have retained top and bottom low friction bearings.
  - 3.4 Shaft design shall be single or dual piece.
  - 3.5 Retainer rings must be recessed in the body so that the line gasket prevents any potential external leakage.
  - 3.6 Valves shall have internal stop to prevent disc over-travel.
  - 3.7 Valves shall be Flowseal or approved equal.
- 4.0 Materials**
- 4.1 Valves shall be constructed of new material.
  - 4.2 Carbon steel valves shall be constructed from materials below:
    - 4.2.1 Body—ASTM A105 or A216 Gr. WCB.
    - 4.2.2 Disc—ASTM A182 F316 or A351 Gr. CF8M.
  - 4.3 Stainless steel valves shall be constructed from materials below:
    - 4.3.1 Body—ASTM A182 Gr. F316 or A351 Gr. CF8M.
    - 4.3.2 Disc—ASTM A182 Gr. F316 or A351 Gr. CF8M.
  - 4.4 Shafts shall be ASTM A564 type 630 H 1150 or 316 SS.
- 5.0 Inspection and Test**
- 5.1 Valves shall be hydrostatically shell tested per ASME B16.34 and MSS SP-61.
  - 5.2 Valves shall be seat tested per MSS SP-61. No leakage is permitted for resilient seated valves.
  - 5.3 API 598 testing available upon request.

**Sample Figure Number**  
**12 – 1WA – 121TTG – 30J**

## TYPICAL METAL SEAT SPECIFICATION

- 1.0 Scope**  
This specification covers the design and testing of high pressure offset seat butterfly valves.
- 2.0 Applicable Standards**  
The following standards shall apply
- ASME B16.5: Pipe Flanges and Flanged Fittings (24" size and smaller).
  - ASME B16.34: Valves—Flanged and Butt-welding End.
  - MSS SP-25: Standard Marking System for Valves, Fittings, Flanges and Unions.
  - ASME/FCI 70-2: Control Valve Seat Leakage
  - MSS SP-68: High Pressure—Offset Seat Butterfly Valves.
  - API 609: Butterfly Valves, Lug-Type and Wafer-Type.
  - PED Pressure Equipment Directive Section H
- 3.0 Design Requirement**
- 3.1 Valves shall be High Performance Butterfly with offset seat and eccentric shaft. They shall be capable of Class IV sealing in either flow direction.
  - 3.2 Valve seat shall be both self and pressure energized.
  - 3.3 Valves shall have retained top and bottom bearings.
  - 3.4 Shaft design shall be single or dual piece.
  - 3.5 Retainer rings must be recessed in the body so that the line gasket prevents any potential external leakage.
  - 3.6 Valves shall have internal stop to prevent disc over-travel.
  - 3.7 Valves shall be Flowseal or approved equal.
- 4.0 Materials**
- 4.1 Valves shall be constructed of new material.
  - 4.2 Carbon steel valves shall be constructed from materials below:
    - 4.2.1 Body—ASTM A105 or A216 Gr. WCB.
    - 4.2.2 Disc—ASTM A182 F316 or A351 Gr. CF8M.
  - 4.3 Stainless steel valves shall be constructed from materials below:
    - 4.3.1 Body—ASTM A182 Gr. F316 or A351 Gr. CF8M.
    - 4.3.2 Disc—ASTM A182 Gr. F316 or A351 Gr. CF8M.
  - 4.4 Shafts shall be ASTM A564 type 630 H 1150, or 316 SS.
- 5.0 Inspection and Test**
- 5.1 Valves shall be hydrostatically shell tested per ASME B16.34 and MSS SP-61.
  - 5.2 Valves shall be seat tested per ASME/FCI 70-2, Class IV.

**Sample Figure Number**  
**12 – 1WA – 171MTG – 30J**

## TYPICAL FIRE FLOW SPECIFICATION

- 1.0 Scope**  
This specification covers the design and testing of high pressure offset seat butterfly valves.
- 2.0 Applicable Standards**  
The following standards shall apply
- ASME B16.5: Pipe Flanges and Flanged Fittings (24" size and smaller).
  - ASME B16.34: Valves—Flanged and Butt-welding End.
  - MSS SP-25: Standard Marking System for Valves, Fittings, Flanges and Unions.
  - MSS SP-61: Pressure Testing of Steel Valves.
  - MSS SP-68: High Pressure—Offset Seat Butterfly Valves.
  - API 609: Butterfly Valves, Lug-Type and Wafer-Type.
  - API 607: Fire Test for Soft-Seated Quarter Turn Valves.
  - PED Pressure Equipment Directive Section H
- 3.0 Design Requirement**
- 3.1 Valves shall be High Performance Butterfly with offset seat and eccentric shaft. They shall be capable of sealing against full differential pressure in either flow direction.
  - 3.2 Valve seat shall be both self and pressure energized with an elastomeric core. The self energizing member shall be isolated from the line media.
  - 3.3 Valves shall have retained top and bottom low friction bearings.
  - 3.4 Shaft design shall be single or dual piece.
  - 3.5 Retainer rings must be recessed in the body so that the line gasket prevents any potential external leakage.
  - 3.6 Valves shall have internal stop to prevent disc over-travel.
  - 3.7 Valves shall be Flowseal or approved equal.
- 4.0 Materials**
- 4.1 Valves shall be constructed of new material.
  - 4.2 Carbon steel valves shall be constructed from materials below:
    - 4.2.1 Body—ASTM A105 or A216 Gr. WCB.
    - 4.2.2 Disc—ASTM A182 F316 or A351 Gr. CF8M.
  - 4.3 Stainless steel valves shall be constructed from materials below:
    - 4.3.1 Body—ASTM A182 Gr. F316 or A351 Gr. CF8M.
    - 4.3.2 Disc—ASTM A182 Gr. F316 or A351 Gr. CF8M.
- 5.0 Inspection and Test**
- 5.1 Valves shall be hydrostatically shell tested per ASME B16.34 and MSS SP-61.
  - 5.2 Valves shall be seat tested per MSS SP-61. No leakage is permitted for resilient seated valves.
  - 5.3 API 598 testing available upon request.
  - 5.4 Flowseal Fire-Flow™ valves qualified to API 607 fire test standard.

**Sample Figure Number**  
**12 – 1WA – 191FFF – B0J**











CRANE Energy Flow Solutions®

CRANE Energy Global Headquarters  
4526 Research Forest Drive, Suite 400  
The Woodlands, Texas 77381 U.S.A.  
Tel.: (1) 936-271-6500  
Fax.: (1) 936-271-6510

Flowseal Customer Service  
9860 Johnson Road  
Montgomery, Texas 77316  
Tel.: (1) 936-588-8380  
Fax.: (1) 936-588-8381

[www.craneenergy.com](http://www.craneenergy.com)



Energy Flow Solutions

Sydney, Australia, Operations  
146-154 Dunheved Circuit  
St. Mary's, N.S.W. 2760 Australia  
Tel.: + 61 (2) 9623-0234  
Fax.: + 61 (2) 9673-3870

Düsseldorf, GmbH, Operations  
Crane Process Flow Technology, GmbH  
Heerdter Lohweg 63-71, D-40549  
Düsseldorf, Germany  
Tel.: +49 211-59-56-0  
Fax.: +49 211-59-56-111



brands you trust.



COMPAC-NOZ®

CRANE®

DUO-CHEK®



NOZ-CHEK®



STOCKHAM®



UNI-CHEK®

NUCLEAR

VALVE SERVICES

Crane Co., and its subsidiaries cannot accept responsibility for possible errors in catalogues, brochures, other printed materials, and website information. Crane Co. reserves the right to alter its products without notice, including products already on order provided that such alteration can be made without changes being necessary in specifications already agreed. All trademarks in this material are property of the Crane Co. or its subsidiaries. The Crane and Crane brands logotype (Aloyco®, Center Line®, Compac-Noz®, Crane®, Duo-Chek®, Flowseal®, Jenkins®, Krombach®, Noz-Chek®, Pacific Valves®, Stockham®, Triangle®, Uni-Chek®) are registered trademarks of Crane Co. All rights reserved.